

Magnetic Pickups

Convert engine speed to an AC voltage. Compatible with Woodward electronic governing systems and speed switches



Features:

- No moving parts
- Self powered
- $\frac{5}{8}$ and $\frac{3}{4}$ thread sizes
- Withstands extreme temperature range
- Endures shock and vibration
- Choice of wire leads or cable connectors

Order Information:

Without Cable Assembly*

ORDER NO.	Mounting Thread	Overall Length (mm)	Coil Resistance ohms @ 78°F	Inductance mH @ 1 KHz	Output Voltage Peak-to-Peak	Output Voltage VRMS
SA-2170	$\frac{5}{8}$ -18	2.62" (66.6)	144 to 230	85	17	6
SA-2171A	$\frac{5}{8}$ -18	3.63" (92.2)	144 to 198	85	17	6

With Cable Assembly

ORDER NO.	Mounting Thread	Overall Length (mm)	Coil Resistance Ohms @ 78°F	Inductance mH @ 1 KHZ	Output Voltage Peak-to-Peak	Output Voltage VRMS
SA-4423	$\frac{3}{4}$ -16	3.00" (76.2)	360 to 540	25	15	5.3
SA-4424	$\frac{5}{8}$ -18	3.00" (76.2)	40 to 85	25	8	2.8

Operating Temperature: -65°F to 225°F (-54°C to 107°C)

Storage Temperature: -100°F to 225°F (-73°C to 107°C)

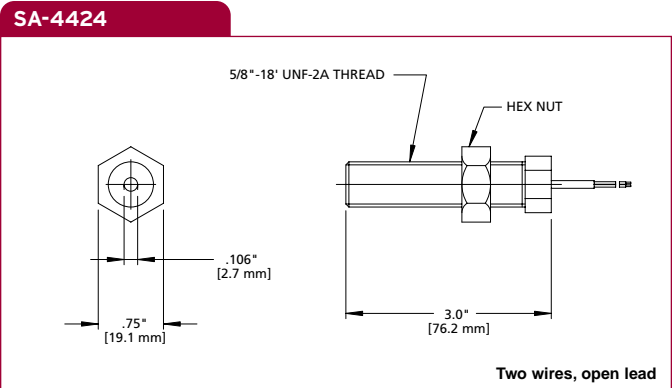
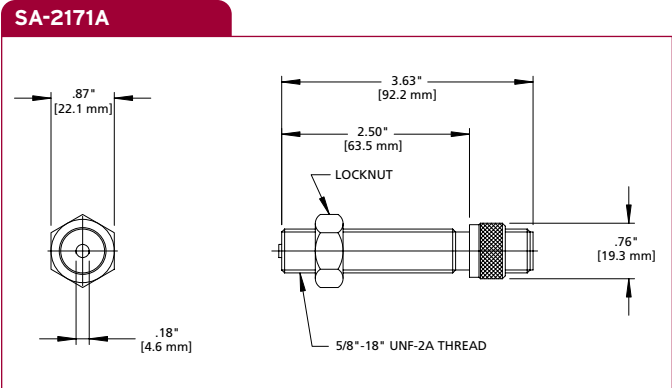
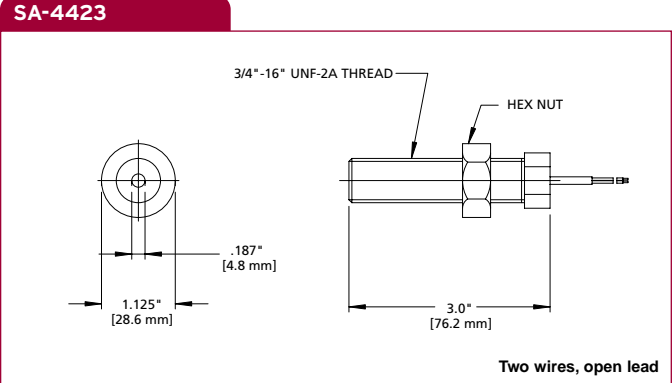
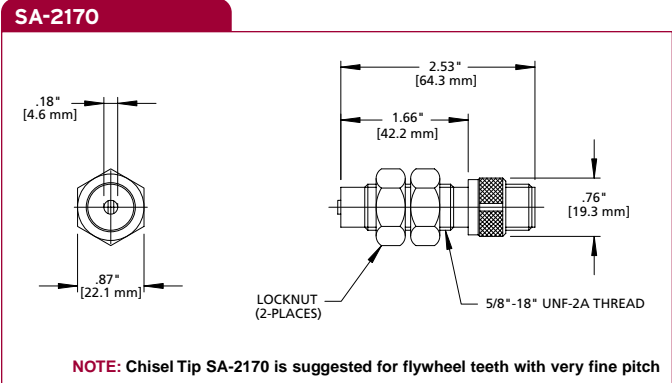
Test Conditions: Airgap: 0.015, Surface speed: 300 in/sec, Test wheel gear: 8 pitch, Load: 2.2k ohms.

*See facing page for ordering information

Specifications are for reference only.

E.E.C. Directive Compliance: All parts supplied by Woodward are classified as components, and therefore are not "CE" marked. Please contact factory direct for details on specific product compliance with 89/336/EEC and 89/392/EEC directives.

Magnetic Pickups

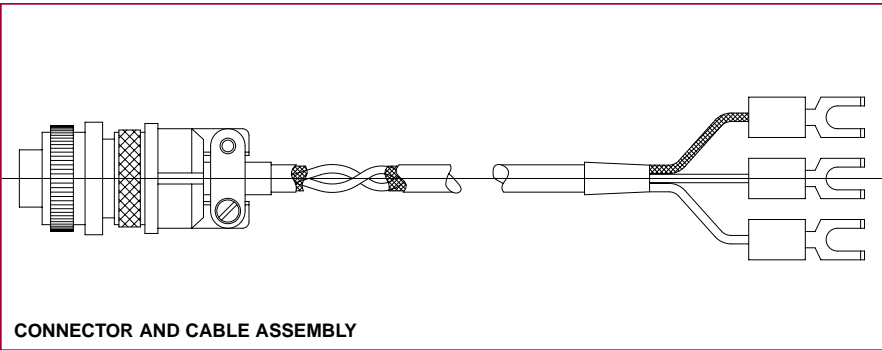


Use Woodward magnetic pickups with electronic speed switches for the input signal normally obtained from a gear tooth. Models SA-4423 and SA-4424 come with cable assembly for connection to the speed switch. For connection of Models SA-2170 and SA-2171A, cable lengths from 3 to 50 feet are available.

Accessories

Connector and Cable Assembly

Used with SA-2170 and SA-2171A only.
Order separately.



ORDER NO.	Cable Length
SA-1707-003	3' (0.9m)
SA-1707-008	8' (2.4m)
SA-1707-010	10' (3.1m)
SA-1707-014	14' (4.3m)
SA-1707-015	15' (4.6m)
SA-1707-020	20' (6.1m)
SA-1707-030	30' (9.2m)
SA-1707-035	35' (10.7m)
SA-1707-050	50' (15.3m)