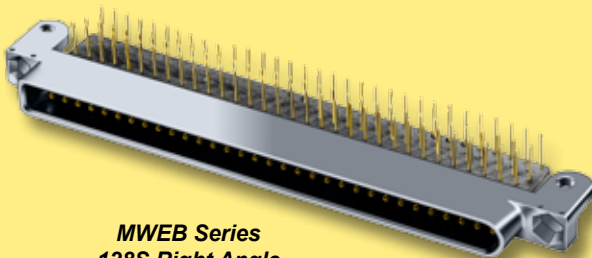


PRODUCT SELECTION GUIDE

Rugged Mil Spec Performance in a High-Density Backplane Connector System: The MWEB EdgeBoard



**MWEB Series
128S Right Angle
Daughtercard Connector**

MWEB EdgeBoard Connectors

These two row .050 inch (1.27 mm) pitch connectors are designed for motherboard-to-daughtercard applications. Available in four styles: surface mount cardedge for daughtercards, vertical thru-hole for motherboards, right angle thru-hole for daughtercards, and prewired cable connectors, these MWEB connectors feature rugged aluminum shells and TwistPin contacts. The single gang 128 pin and the two gang 184 pin (2 X 92 pin) are a ruggedized alternative to commercial board connectors.

MWKQ Micro Circular Connectors Feature Quick Coupling and Quick Release

MWKQ Micro Circular Connectors

The MWKQ connector provides quick-disconnect capability combined with a high-performance contact system and rugged construction. Intended for panel-to-cord I/O applications, these connectors are found in tactical military equipment, weapons systems and various instrumentation applications. Available in two sizes with 7 or 19 contacts, the MWKQ is factory-terminated to the wire of your choice. Shielded, overmolded cordsets and other custom versions are available.



**MWKQ Series
19P Panel Mount
Receptacle**



**MWKQ Series
19S Cable Plug**

Page P-13

**D38999
19 Contacts**

**Glenair Series 80
19 Contacts**

**MWKQ Series
19 Contacts**

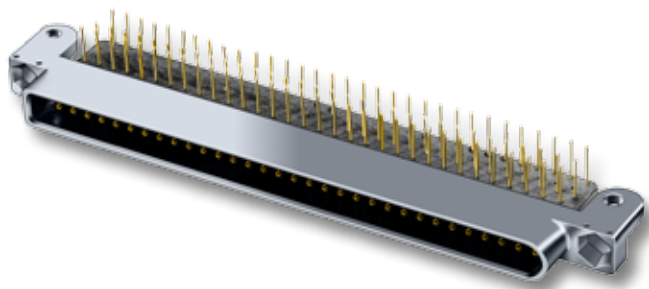
**Glenair Nano*
19 Contacts**



*The Glenair Series 89 Nanominiature Connectors Catalog is available online at www.glenair.com



MWEB Series EdgeBoard Connectors



Industry-Standard, Approved for Airborne Computers

MWEB EdgeBoard connectors meet the requirements of MIL-DTL-55302/120 thru /123. Available with 128 or 184 contacts.

Rugged Aluminum Shell and TwistPin Contacts

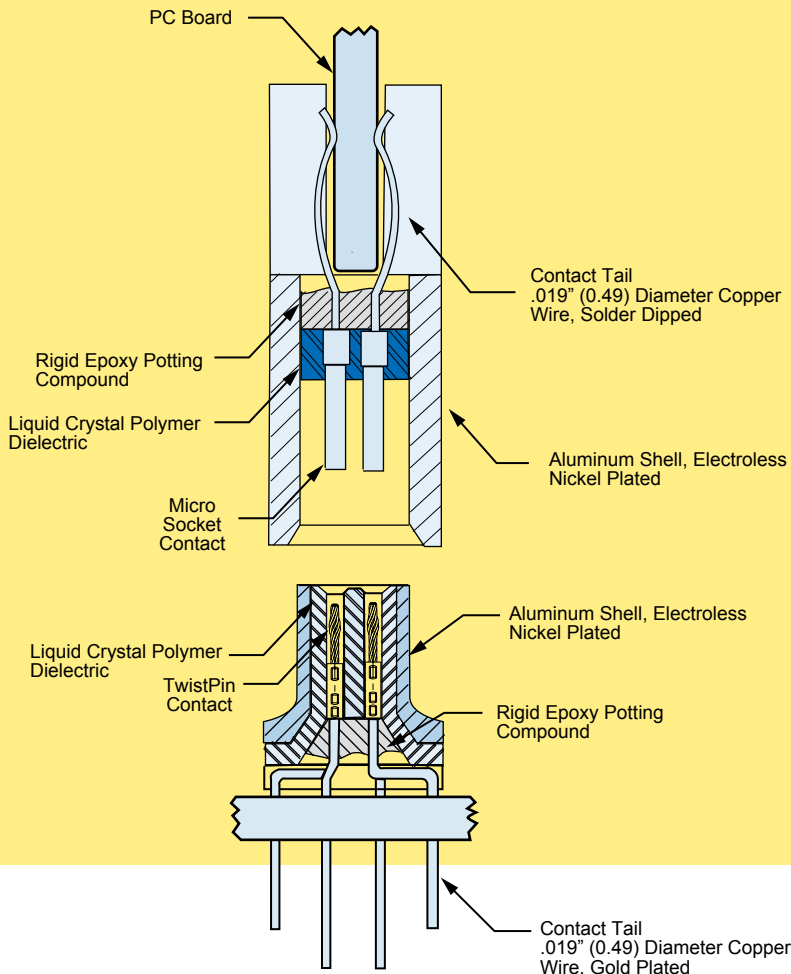
MWEB connectors share the same design and construction as the Glennair Micro-D M83513 connector.

Backplane, Daughtercard and Wired

Vertical mount thru-hole motherboard connectors and straddle mount daughtercard connectors are complemented by right angle thru-hole and pre-wired I/O versions.

Rugged Mil Spec Performance in a High-Density Backplane Connector System: The MWEB EdgeBoard

Featuring a width of only ¼ inch (6.4 mm.), MWEB Series connectors provide high-density in a rugged metal shell connector. Contacts are rated at 3 amps, and the DWV voltage rating is 300 volts AC RMS at 70,000 feet altitude. The two row, .050 inch (1.54 mm.) spacing is made possible by using TwistPin reverse gender contacts. Insert-molded LCP insulators are resistant to heat and chemicals. Contacts are beryllium copper with fifty microinches of gold plating. Shells are machined aluminum alloy. Hexagonal polarizing keys allow up to 36 keying options.



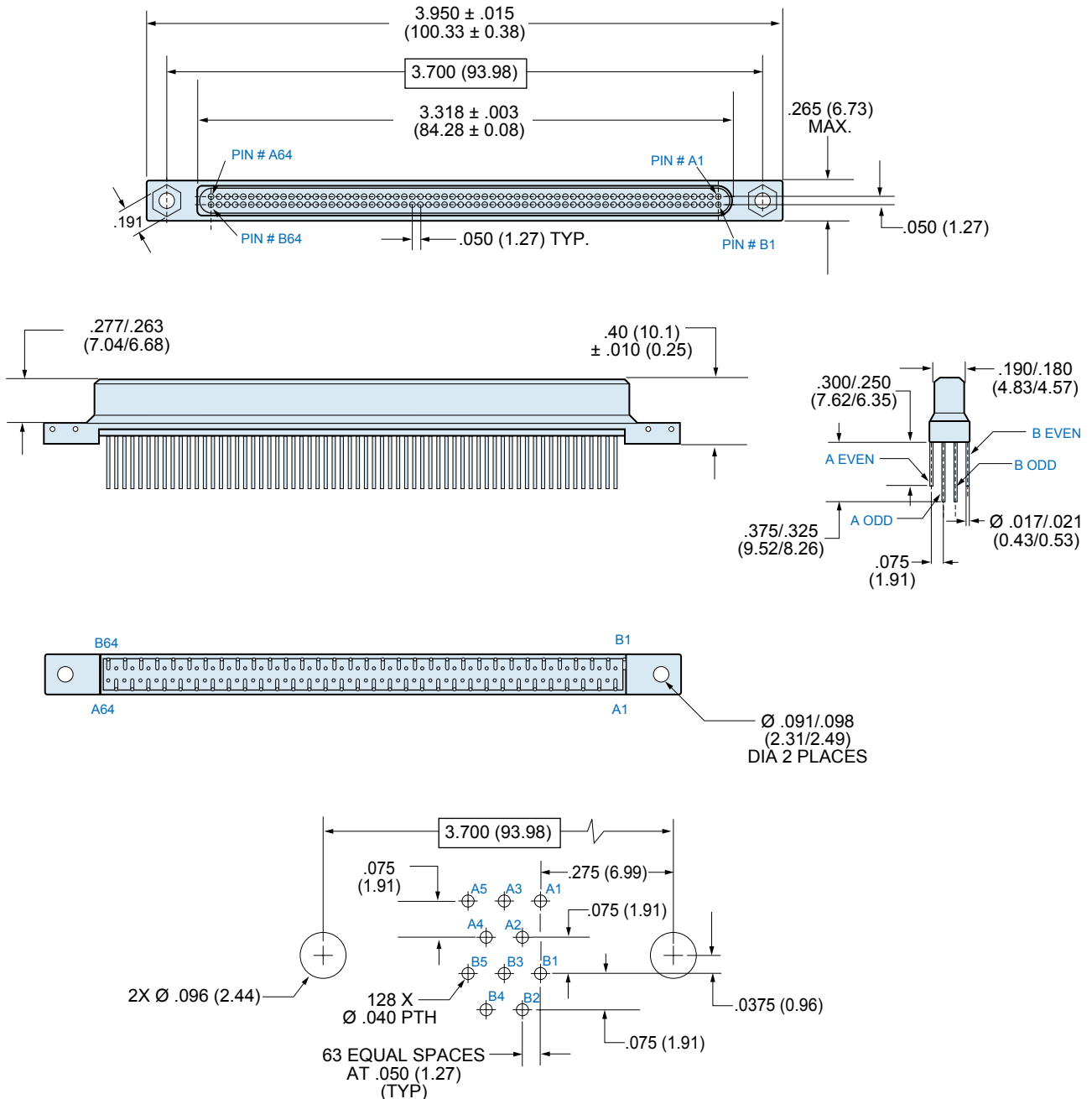
Vertical Mount Backplane Connector MWEB-128P



Micro-D
EdgeBoard
MicroStrips

MWEB-128P BACKPLANE THRU-HOLE CONNECTOR

Part Number MWEB2L-128P5W4-.375

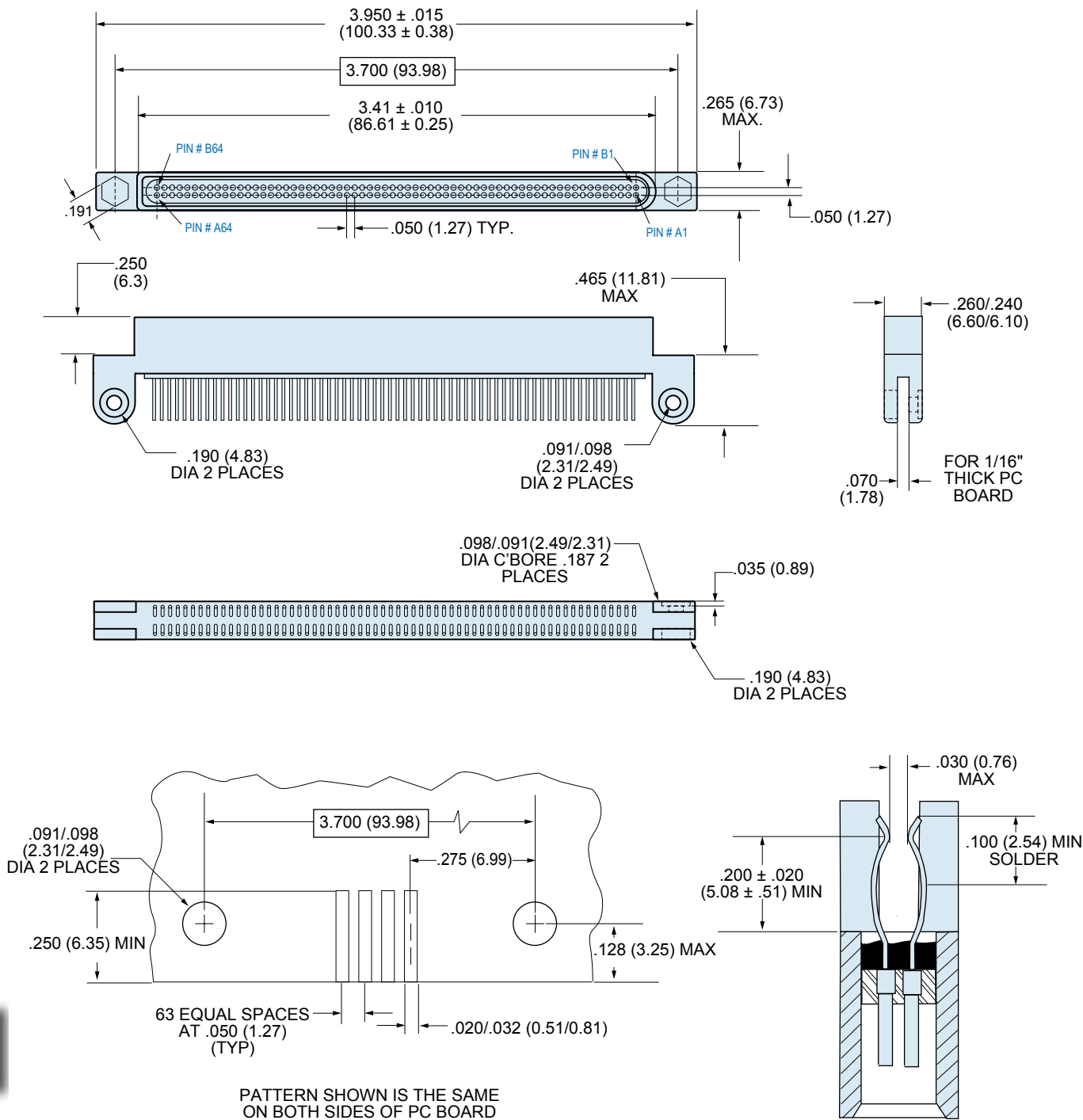


PATTERN SHOWN IS FOR CONNECTOR
MOUNTING SIDE OF PC BOARD



MWEB-128S STRADDLE MOUNT CARDEDGE CONNECTOR

Part Number MWEB2L-128S4BS3



Right Angle Board Connectors

MWEB-128S



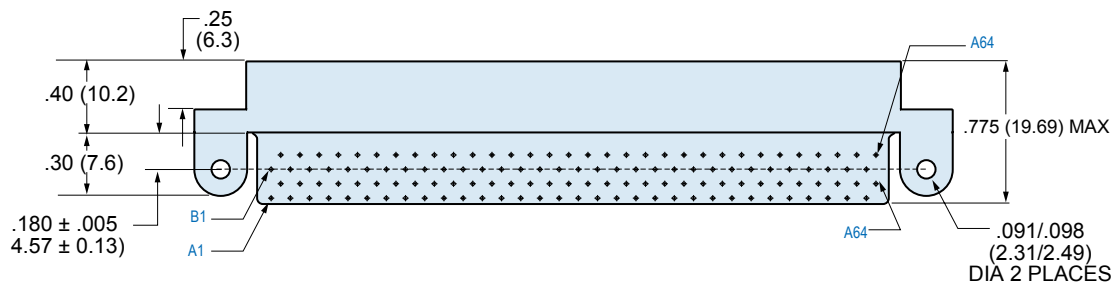
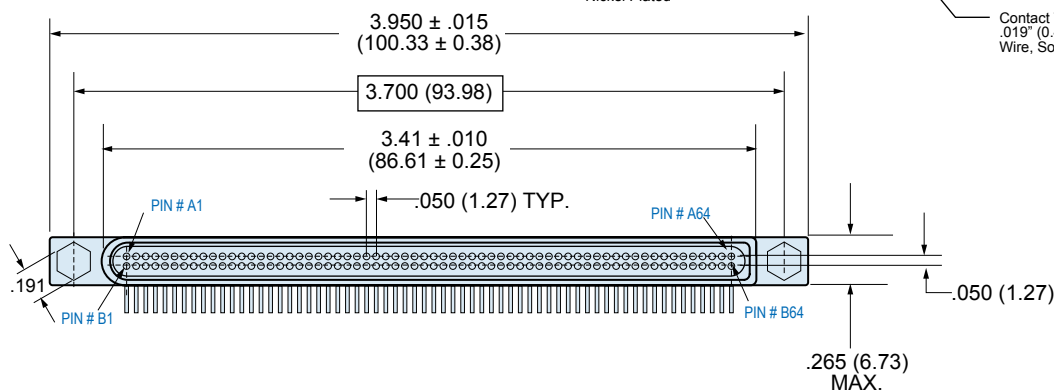
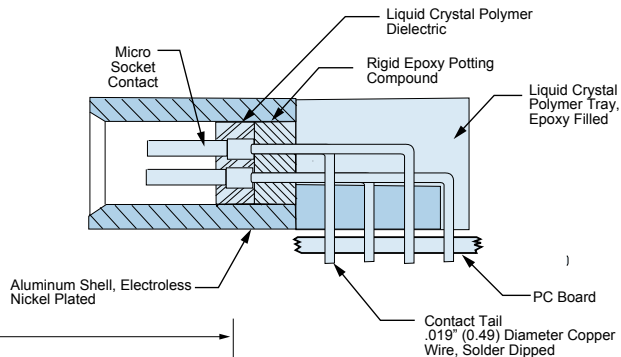
Micro-D
EdgeBoard
MicroStrips

MWEB-128S RIGHT ANGLE PCB CONNECTOR

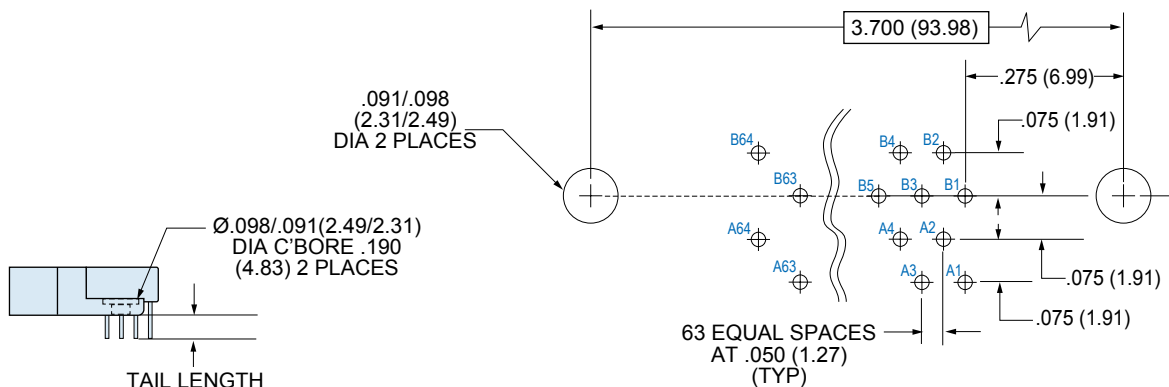
Base Part Number MWEB2L-128SBR-.125

PC Tail Length

- .090
- .125
- .190
- .250



CONNECTOR MATING FACE THIS SIDE

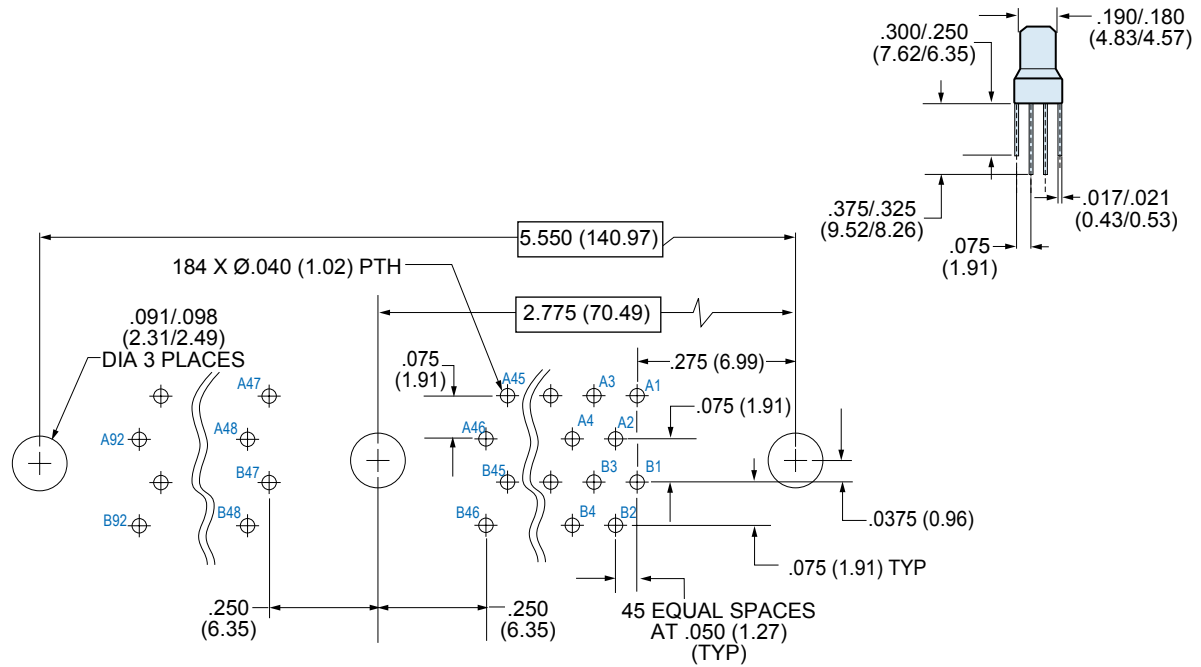
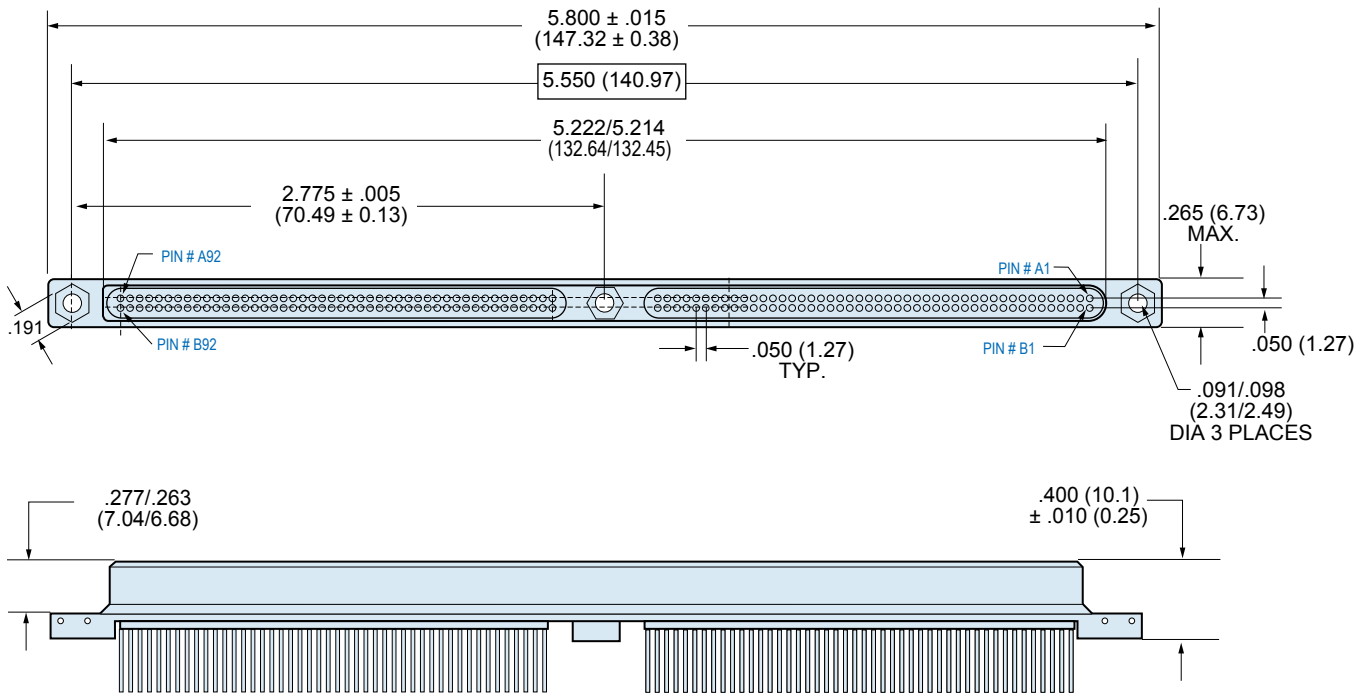


PATTERN SHOWN IS FOR CONNECTOR MOUNTING SIDE OF PC BOARD



MWEB-184P BACKPLANE THRU-HOLE CONNECTOR

Part Number MWEB2L-184NP5W4-.375



PATTERN SHOWN IS FOR CONNECTOR
MOUNTING SIDE OF PC BOARD



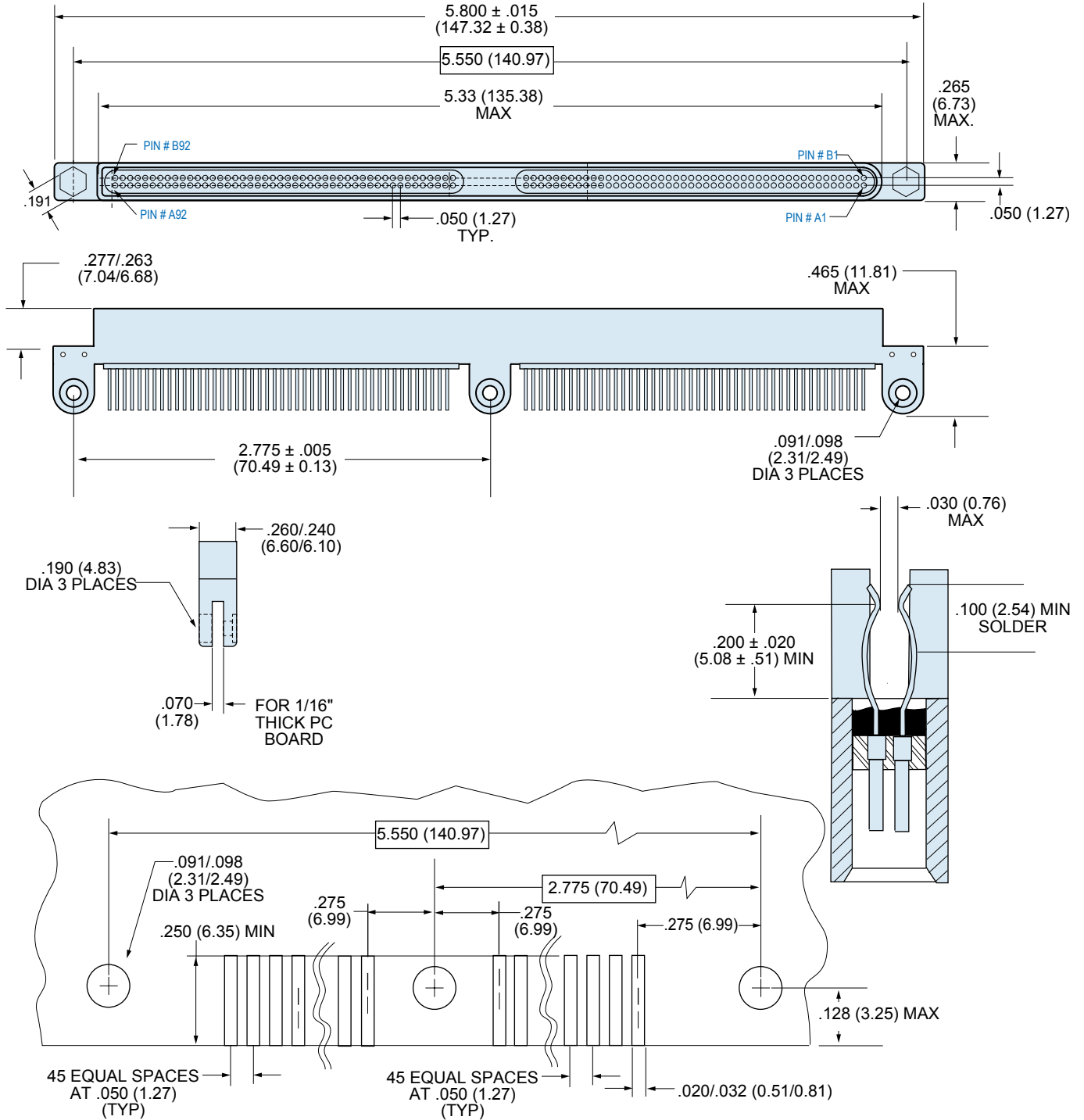
Straddle Mount Card-Edge Connector MWEB-184S



Micro-D
EdgeBoard
MicroStrips

MWEB-184S STRADDLE MOUNT CARDEDGE CONNECTOR

Part Number MWEB2L-184NS4BS3

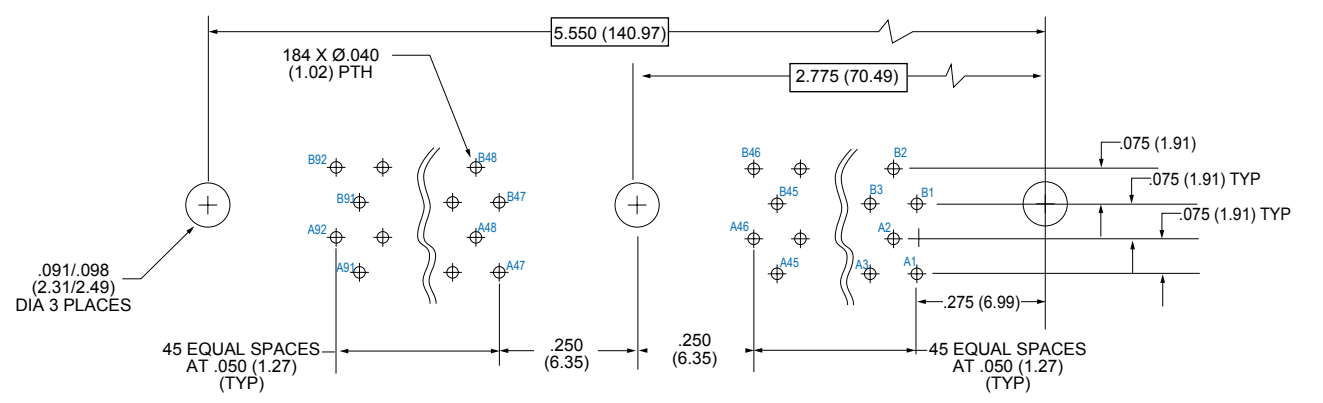
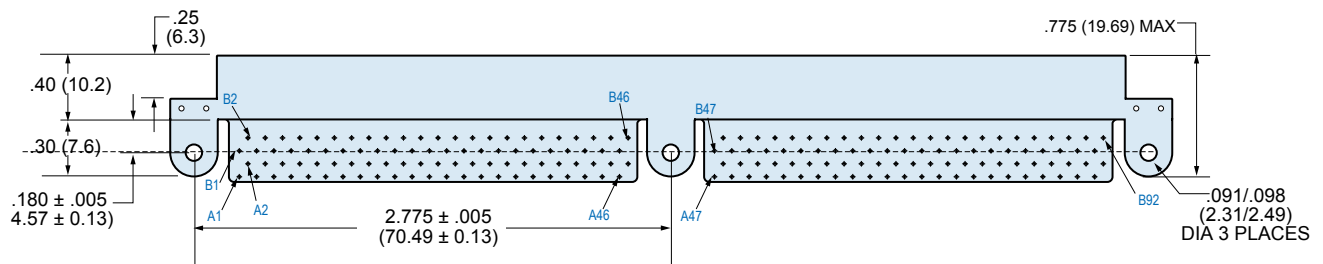
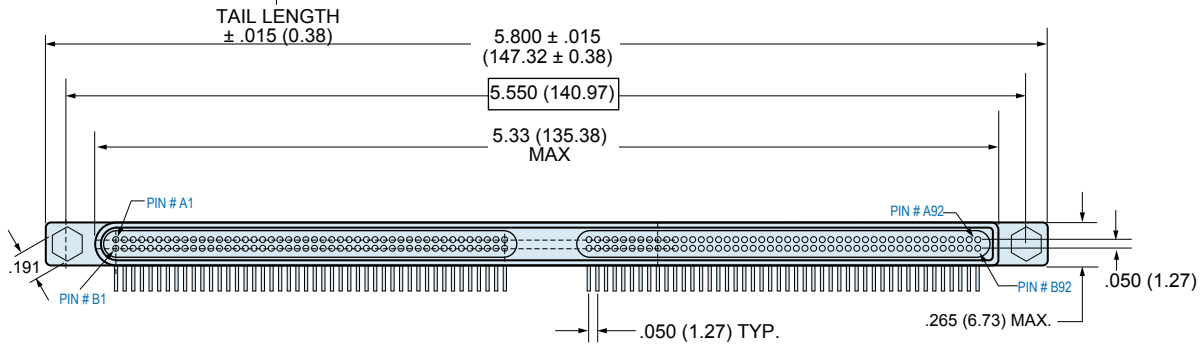
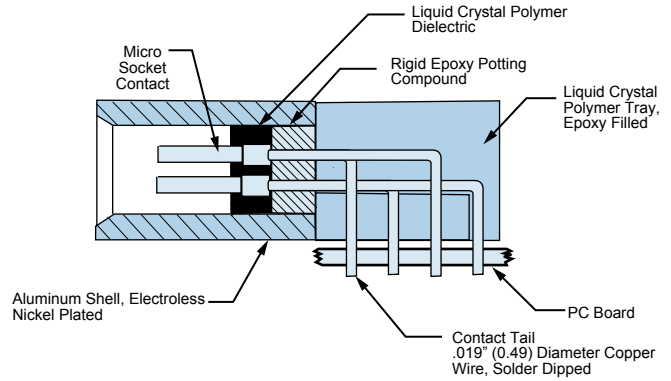
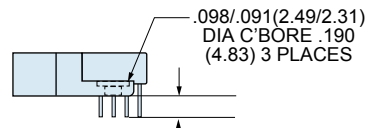


PATTERN SHOWN IS THE SAME
ON BOTH SIDES OF PC BOARD

MWEB-184S RIGHT ANGLE PCB CONNECTOR

Base Part Number MWEB2L-184NSBR-.125

PC Tail Length
.090
.125
.190
.250



PATTERN SHOWN IS FOR CONNECTOR MOUNTING SIDE OF PC BOARD



MWEB Pre-Wired and Solder Cup Connectors MWEB2L



MWEB EdgeBoard Connectors For Input/Output Wire-To-Board Applications

With 128 or 184 contacts, these narrow profile factory-terminated MWEB connectors provide a space-saving I/O wire to board solution. Connector width of .25 inch (6.4 mm.) allows for high-density card slots.

High Performance TwistPin Contacts

Suitable for airborne avionics processors and mission-critical computers, these pre-wired connectors feature interfacial seals and backpotting for improved environmental protection. Or, choose solder cup connectors for integration into wire harnesses.

HOW TO ORDER MWEB PIGTAIL CONNECTORS

Series	Layout	Contact Type	Wire Gage (AWG)	Wire Type	Wire Color	Wire Length Inches	Hardware Option
MWEB2L	128 184N	P – Pin S – Socket	4 – #24	K – M22759/11 600 Vrms Teflon® (TFE) J – M22759/33® 600 Vrms Modified Cross-Linked Tefzel (ETFE)	1 – White	18 Total Length In Inches. "18" Specifies 18 Inches.	N – No hardware J – Jackscrews P – Jackposts
			6 – #26		2 – Yellow		
			8 – #28		7 – Ten Color Repeating		
			0 – #30				
Sample Part Number							
MWEB2L	– 128	P	– 6	K	7	– 24	N

HOW TO ORDER MWEB SOLDER CUP CONNECTORS

Series	Layout	Contact Type	Termination Type	Hardware Option
MWEB2L	128	P – Pin S – Socket	S – Solder Cup	N – No hardware J – Jackscrews P – Jackposts
	184N			
Sample Part Number				
MWEB2L	– 128	P	S	N



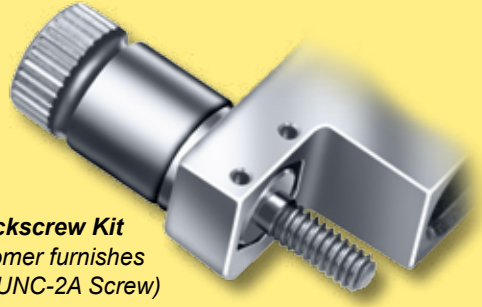
MWEB HARDWARE KITS

MWEB Jackscrew and Jackpost Kits

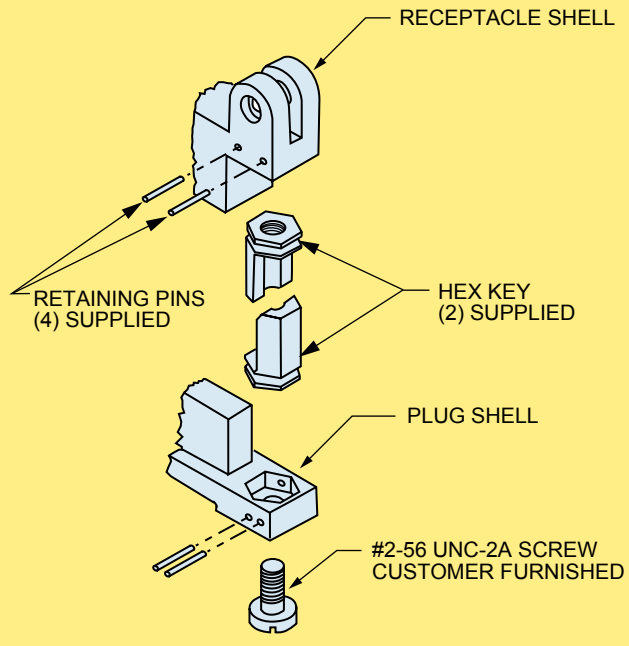
Stainless steel jackscrew kits are stainless steel and install with roll pins. Insert the stud through the flange from the mating side, then install the knurled head from the other side and attach to stud with a roll pin. Each kit contains two studs, two heads and two retainer pins.

Jackscrew Part Number (xx)

Jackpost Part Number (xx)



Jackscrew Kit
(Customer furnishes
#2-56 UNC-2A Screw)



MWEB Polarizing Keys

These stainless steel pol keys meet the requirements of MIL-C-55302/124-01. (6) keying positions per end equals (36) total positions. Install with roll pins, supplied. Half-hex keys are tapped for optional #2-56 screw installation. Kit consists of (2) keys and (4) retainer pins.

Part Number 080-00-00-810

Quick Disconnect Micro Circular Connectors MWKQ2L7



Plug With Socket
Contacts



Receptacle With
Pin Contacts

MWKQ Micro Circular Connectors feature quick coupling and quick release. The plug has a knurled release sleeve. To unmate, just pull back on the sleeve, compressing the locking ring and free it from the receptacle.

Choose (7) or (19) Contacts – Connectors are supplied with hookup wires installed and potted.

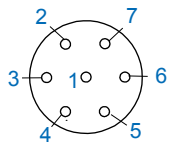
HOW TO ORDER PLUG (SOCKET) CONNECTORS

Series	No. of Contacts	Contact Type	Wire Gage (AWG)	Wire Type	Wire Color	Wire Length Inches
MWKQ2L6	7 19	S – Socket	4 – #24 6 – #26 8 – #28 0 – #30	K – M22759/11 600 Vrms Teflon® (TFE) J – M22759/33 600 Vrms Modified Cross-Linked Tefzel® (ETFE)	1 – White 2 – Yellow 5 – Color Coded Striped Wire Per MIL-STD-681 7 – Ten Color Repeating	18 Length In Inches. "18" Specifies 18 Inches.
Sample Part Number						
MWKQ2L6	– 19	S	– 6	K	7	– 24

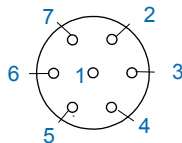
HOW TO ORDER RECEPTACLE (PIN) CONNECTORS

Series	No. of Contacts	Contact Type	Wire Gage (AWG)	Wire Type	Wire Color	Wire Length Inches
MWKQ2L7	7 19	P – Pin	4 – #24 6 – #26 8 – #28 0 – #30	K – M22759/11 600 Vrms Teflon (TFE) J – M22759/33 600 Vrms Modified Cross-Linked Tefzel (ETFE)	1 – White 2 – Yellow 7 – Ten Color Repeating	18 Length In Inches. "18" Specifies 18 Inches.
Sample Part Number						
MWKQ2L7	– 7	P	– 6	K	7	– 24

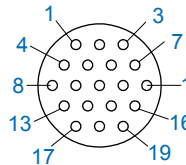
CONTACT ARRANGEMENTS



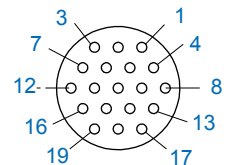
7 Contacts
Face View Pin Connector
(Receptacle)



7 Contacts
Face View Socket Connector
(Plug)



19 Contacts
Face View Pin Connector
(Receptacle)



19 Contacts
Face View Socket Connector
(Plug)

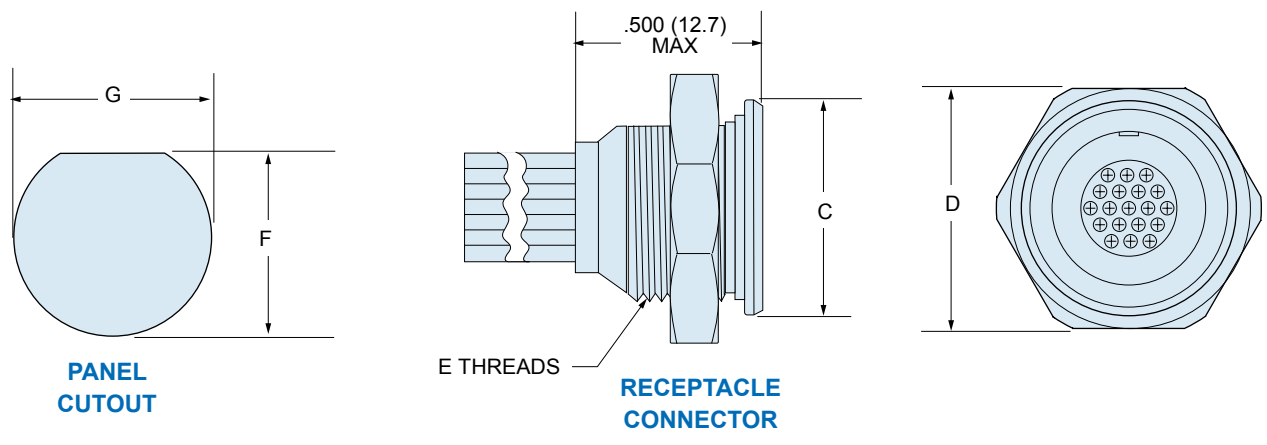
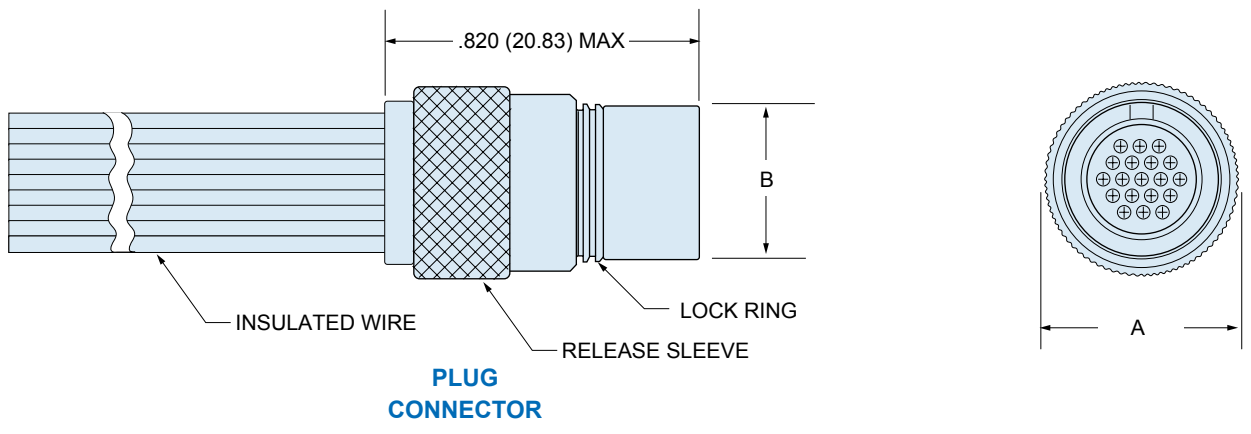




Quick Disconnect Micro Circular Connectors MWKQ2L7

PERFORMANCE SPECIFICATIONS	
Current Rating	3 AMP
Dielectric Withstanding Voltage	600 VAC Sea Level 150 VAC 70,000 Feet
Insulation Resistance	5000 Megohms Minimum
Contact Resistance	8 Milliohms Maximum
Low Level CR	32 Milliohms Maximum
Operating Temperature	-55° C. to +150° C.
Shock	50 g.
Vibration	20 g.
Mating Force	(10 Ounces) X (# of Contacts)

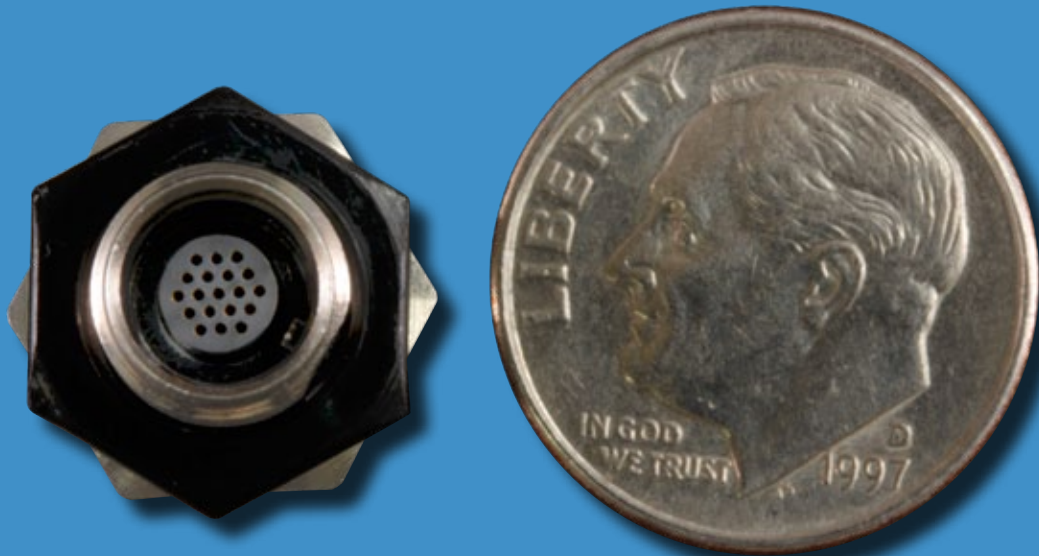
MATERIALS AND FINISHES	
Connector	
Shell, Release Sleeve, Jam Nut	Aluminum Alloy 6061 with Electroless Nickel Plating
Insulator	Liquid Crystal Polymer (LCP)
Lock Ring	Stainless Steel
Pin Contact	Beryllium Copper With 50 Microinches Gold over Nickel Plating
Socket Contact	Copper Alloy With 50 Microinches Gold Over Nickel Plating
Encapsulant	Epoxy Resin Hysol EE4215



Layout	DIMENSIONS													
	A Max.		B Max.		C Max.		D Hex.		E Thds.	F		G Dia.		
	In.	mm.	In.	mm.	In.	mm.	In.	mm.		In. ±.005	mm. ±0.13	In.	mm.	
7	.385	9.78	.305	7.75	.500	12.7	.500	12.70	.3125-32 UNEF-2A	.364	9.25	.390	9.91	
19	.515	13.08	.405	10.28	.570	14.48	.625	15.88	.500-28 UNEF-2A	.475	12.07	.515	13.08	

*Need Something
Even Smaller?*

**Glenair Circular Nanominiature
Connectors Offer Ultra-High Density
Contact Spacing for Maximum
Weight and Space Savings**



**Contact the Factory for
Complete Information**



1211 Air Way

Glendale, California 91201-2497

Telephone: 818-247-6000 · Facsimile: 818-500-9912 · E-mail: sales@glenair.com

United States · United Kingdom · Germany · Nordic · France · Italy · Spain · Japan

www.glenair.com

Holy Locking Micro!

**Glenair Locking MicroStrips
Deliver Reliable Performance
and Durability in a
Space-Saving, Single-Row Package**



1211 Air Way

Glendale, California 91201-2497

Telephone: 818-247-6000 · Facsimile: 818-500-9912 · E-mail: sales@glenair.com

United States · United Kingdom · Germany · Nordic · France · Italy · Spain · Japan

www.glenair.com