

37352A



MFR 12 Packages Protection Relay



Manual
Version 3.1xxx

Manual 37352A

**WARNING**

Read this entire manual and all other publications pertaining to the work to be performed before installing, operating, or servicing this equipment. Practice all plant and safety instructions and precautions. Failure to follow instructions can cause personal injury and/or property damage.

The engine, turbine, or other type of prime mover should be equipped with an overspeed (overtemperature, or overpressure, where applicable) shutdown device(s), that operates totally independently of the prime mover control device(s) to protect against runaway or damage to the engine, turbine, or other type of prime mover with possible personal injury or loss of life should the mechanical-hydraulic governor(s) or electric control(s), the actuator(s), fuel control(s), the driving mechanism(s), the linkage(s), or the controlled device(s) fail.

Any unauthorized modifications to or use of this equipment outside its specified mechanical, electrical, or other operating limits may cause personal injury and/or property damage, including damage to the equipment. Any such unauthorized modifications: (i) constitute "misuse" and/or "negligence" within the meaning of the product warranty thereby excluding warranty coverage for any resulting damage, and (ii) invalidate product certifications or listings.

**CAUTION**

To prevent damage to a control system that uses an alternator or battery-charging device, make sure the charging device is turned off before disconnecting the battery from the system.

Electronic controls contain static-sensitive parts. Observe the following precautions to prevent damage to these parts.

- Discharge body static before handling the control (with power to the control turned off, contact a grounded surface and maintain contact while handling the control).
- Avoid all plastic, vinyl, and Styrofoam (except antistatic versions) around printed circuit boards.
- Do not touch the components or conductors on a printed circuit board with your hands or with conductive devices.

**OUT-OF-DATE PUBLICATION**

This publication may have been revised or updated since this copy was produced. To verify that you have the latest revision, be sure to check the Woodward website:

<http://www.woodward.com/pubs/current.pdf>

The revision level is shown at the bottom of the front cover after the publication number. The latest version of most publications is available at:

<http://www.woodward.com/publications>

If your publication is not there, please contact your customer service representative to get the latest copy.

Important definitions**WARNING**

Indicates a potentially hazardous situation that, if not avoided, could result in death or serious injury.

**CAUTION**

Indicates a potentially hazardous situation that, if not avoided, could result in damage to equipment.

**NOTE**

Provides other helpful information that does not fall under the warning or caution categories.

Woodward reserves the right to update any portion of this publication at any time. Information provided by Woodward is believed to be correct and reliable. However, Woodward assumes no responsibility unless otherwise expressly undertaken.

© Woodward
All Rights Reserved.

Revision History

Rev.	Date	Editor	Changes
NEW	06-03-02	TP	Release based on 37141A
A	07-07-18	TP	Minor corrections

Contents

CHAPTER 1. GENERAL INFORMATION.....	6
Introduction	6
Measured Value Logging	7
Package Functional Descriptions	8
CHAPTER 2. ELECTROSTATIC DISCHARGE AWARENESS.....	9
CHAPTER 3. INSTALLATION	10
Wiring Diagram	10
Power Supply	11
Measuring Inputs.....	12
Current	12
Voltage.....	14
Discrete Inputs	15
Outputs.....	15
Relay Outputs (Standard / Packages 51V & IvkR).....	15
Interface	16
DPC - Direct Configuration Interface	16
CHAPTER 4. FUNCTIONAL DESCRIPTION	17
Functional Table.....	17
Control Inputs.....	18
Control Outputs	19
Alarms	20
Alarm Messages	20
Alarm Acknowledgement	20
CHAPTER 5. DISPLAY AND OPERATING ELEMENTS.....	21
Brief Description of LEDs and Push Buttons	21
LEDs.....	22
Push Buttons	23
LC Display	24
Display in Automatic Mode (First Line of the Display: Measured Values).....	24
Display in Automatic Mode (Second Line of the Display: Measured Values)	25
Display in Automatic Mode (Second Line of the Display: Alarm Indication).....	25

CHAPTER 6. CONFIGURATION 26

Basic Data 27

Configuration Access..... 27

 Password..... 27

 Change Passwords 28

Direct Configuration..... 29

Measurement..... 30

 Voltage Measurement (Package 51V) 30

 Potential Transformer Configuration (Package 51V) 30

 Current Transformer Configuration 30

 Rated Values 31

 Power Measurement 31

Protection..... 32

 Independent Time-Overcurrent Monitoring (Packages CP / 51V) 32

 Inverse Time-Overcurrent Monitoring (Package 51V) 34

 Inverse Time-Overcurrent Monitoring with Voltage Restraint (Package 51V) 37

 Ground Fault Monitoring (Packages CP / 51V / 50-51GN)..... 39

 Non-Direct. Ground-Fault Monit. via Displacement Volt. (Package lVlKR) 41

 Ground-Fault Monitoring, Measured (Package lVlKR) 43

 Directional Ground Fault Monitoring (Package lVlKR)..... 44

Relay Configuration 46

 Auto Acknowledgement of the Relays 46

 Auto Acknowledgement of Messages 47

 Changing the Relay Assignment (Standard / Packages 51V & lVlKR)..... 48

CHAPTER 7. COMMISSIONING..... 50

APPENDIX A. DIMENSIONS 51

APPENDIX B. TECHNICAL DATA 52

APPENDIX C. MEASURED QUANTITIES AND ACCURACY..... 54

APPENDIX D. LIST OF PARAMETERS..... 55

APPENDIX E. SERVICE OPTIONS 57

Product Service Options..... 57

Returning Equipment for Repair..... 57

 Packing a Control 58

 Return Authorization Number RAN 58

Replacement Parts 58

How to Contact Woodward..... 59

Engineering Services..... 60

Technical Assistance 61

Illustrations and Tables

Illustrations

Figure 3-1: Wiring diagram	10
Figure 3-2: Power supply	11
Figure 3-3: Measuring inputs - current	12
Figure 3-4: Measuring inputs - Connections	13
Figure 3-5: Measuring inputs - Connection	13
Figure 3-6: Measuring inputs - Displacement voltage	14
Figure 3-7: Measuring inputs - Reference voltage	14
Figure 3-8: Discrete inputs	15
Figure 3-9: Relay outputs	15
Figure 5-1: Front panel	21
Figure 6-1: Diagram for independent time-overcurrent monitoring	32
Figure 6-2: Inverse time-overcurrent - characteristic "normal inverse"	35
Figure 6-3: Inverse time-overcurrent - characteristic "very inverse"	36
Figure 6-4: Inverse time-overcurrent - characteristic "extremely inverse"	36
Figure 6-5: Characteristic of the inverse time-overcurrent monitoring with voltage restraint (knee curve setting 20 %)	37
Figure 7-1: Dimensions	51

Tables

Table 3-1: Conversion chart - wire size	11
Table 4-1: Alarm messages	20
Table 5-1: Alarm messages	25
Table 6-1: Release delay of the relays	47
Table 6-2: Protective function output to relay	49

Chapter 1. General Information



Introduction



The MFR 12 model is a complete generator protection unit packaged into one compact device. Typical applications are generators and switchgear equipment that require independent protection architecture. Different packages offer additional functionality.

The detailed model description for the MFR 12 reads as follows:

MFR1215	B/	ABDEF..Z	
			Packages according to the package list. These packages can be found in the manual. Each chapter headline points out if the described function is standard or part of a package.
			Mounting [B].. Flush-mounting
			Current transformer, secondary [0] = not available [1] = ../1 A [5] = ../5 A
			Voltage transformer/PTs, secondary [0] = no voltage measurement [1] = 100 Vac
			Type

Examples:

- [MFR1205B/CP](#) (flush mounted, standard unit with ../5 A CT inputs with the [CP Package](#) [independent time-overcurrent, ground fault (calculated), 3 relay outputs])
- [MFR1211B/51V](#) (flush mounted, standard unit with 100 Vac PT and ../1 A CT inputs with the [51V Package](#) [inverse time-overcurrent, inverse time-overcurrent with voltage restraint, ground fault (calculated), 8 relay outputs])

Measured Value Logging



Voltage

Package 51V: Voltage dependent time-overcurrent.

Current

Packages CP / 51V: Three-phase measurement of the r.m.s. value.

- ../1 A[1]
- ../5 A[5]

Ground Fault

The displayed ground current is digitally filtered from the measured currents. This prevents inaccurate values caused by the oscillations of the sine wave associated with ground fault currents from being displayed.

Packages CP / 51V: The ground fault current is a calculation of the three phase currents vectorial sum. This measurement is suitable for line-to-ground monitoring in rigid or half-rigid earthen mains (e.g. in phase-to-phase low voltage mains). The measured line-to-ground current should be at least 10% of the current transformer's rated current to ensure proper protection.

Package 50-51GN: The ground fault current is a direct measurement of the single-phase ground current. This measurement is suitable for line-to-ground monitoring in rigid or half-rigid earthen mains (e.g. in phase-to-phase low voltage mains). In addition single-phase current transformers in the mains star point, in Holm-green connection or cable-type current transformers are used for the measuring current.

Package IvIkR: The ground fault current is a direct measurement of ground current via cable-type current transformer.

This measurement is suitable for the line-to-ground protection in insulated or balanced mains in which very few ground currents appear. In addition cable-type current transformers or balanced transformers in Holm-green connection are used for the measuring current.

Displacement Voltage

Package IvIkR: The ground fault current is a direct measurement of the displacement voltage.

The measurement is carried out via the open delta winding (e-n-winding) of a voltage transformer or via a zero-point transformer in the generator star point.

Package Functional Descriptions



Depending on the model, the unit is equipped with the following functions

Function	Package			
	CP	51V	IVIKR	50-51GN

General functions				
I ready for operation relay output (normally open contact)	✓	✓	✓	✓
Additional freely configurable relay outputs (2 change-over contacts)	✓	✓	✓	✓
Additional freely configurable relay outputs (4 change-over contacts, 1 make contacts)		✓	✓	
Discrete input for blocking of protective functions or remote acknowledgment	✓	✓	✓	✓

Protective functions				
Independent time-overcurrent monitoring	I>, I>>, I>>>	✓	✓	
Inverse time-overcurrent monitoring (according to IEC255) #1	I _a >>		✓	
Inverse time-overcurrent monitoring with voltage restraint	I> (V<)		✓	
Non-directional ground fault monitoring via displacement voltage	V _E >			✓
Ground fault monitoring, calculated from I _{L1} +I _{L2} +I _{L3}	I _E >>	✓	✓	
Directional ground fault monitoring #2	I _E >, I _E >>			✓
Ground fault monitoring, measured via cable-type current transformer	I _E >, I _E >>			✓
Ground fault monitoring, measured via current transformer	I _E >, I _E >>			

#1 only when inverse time-overcurrent monitoring with voltage restraint is disabled

#2 only when ground fault monitoring via cable-type current transformer and non-directional ground fault monitoring are enabled

Intended Use The unit must only be operated in the manner described by this manual. The prerequisite for a proper and safe operation of the product is correct transportation, storage, and installation as well as careful operation and maintenance.



NOTE

This manual has been developed for all available packages. Inputs/outputs, functions, configuration screens, and other details described, which do not exist on your unit, may be ignored.

The present manual has been prepared to enable the installation and commissioning of the unit. Due to the large variety of parameter settings, it is not possible to cover every combination. The manual is therefore only a guide. In case of incorrect entries or a total loss of functions, the default settings may be taken from the list of parameters enclosed at the rear of this manual.

Chapter 2.

Electrostatic Discharge Awareness

All electronic equipment is static-sensitive, some components more than others. To protect these components from static damage, you must take special precautions to minimize or eliminate electrostatic discharges.

Follow these precautions when working with or near the control.

1. Before doing maintenance on the electronic control, discharge the static electricity on your body to ground by touching and holding a grounded metal object (pipes, cabinets, equipment, etc.).
2. Avoid the build-up of static electricity on your body by not wearing clothing made of synthetic materials. Wear cotton or cotton-blend materials as much as possible because these do not store static electric charges as easily as synthetics.
3. Keep plastic, vinyl, and Styrofoam materials (such as plastic or Styrofoam cups, cigarette packages, cellophane wrappers, vinyl books or folders, plastic bottles, etc.) away from the control, modules, and work area as much as possible.
4. **Opening the control cover may void the unit warranty.**
Do not remove the printed circuit board (PCB) from the control cabinet unless absolutely necessary. If you must remove the PCB from the control cabinet, follow these precautions:
 - Ensure that the device is completely voltage-free (all connectors have to be disconnected).
 - Do not touch any part of the PCB except the edges.
 - Do not touch the electrical conductors, connectors, or components with conductive devices or with bare hands.
 - When replacing a PCB, keep the new PCB in the plastic antistatic protective bag it comes in until you are ready to install it. Immediately after removing the old PCB from the control cabinet, place it in the antistatic protective bag.



CAUTION

To prevent damage to electronic components caused by improper handling, read and observe the precautions in Woodward manual 82715, *Guide for Handling and Protection of Electronic Controls, Printed Circuit Boards, and Modules*.

Chapter 3. Installation

Wiring Diagram

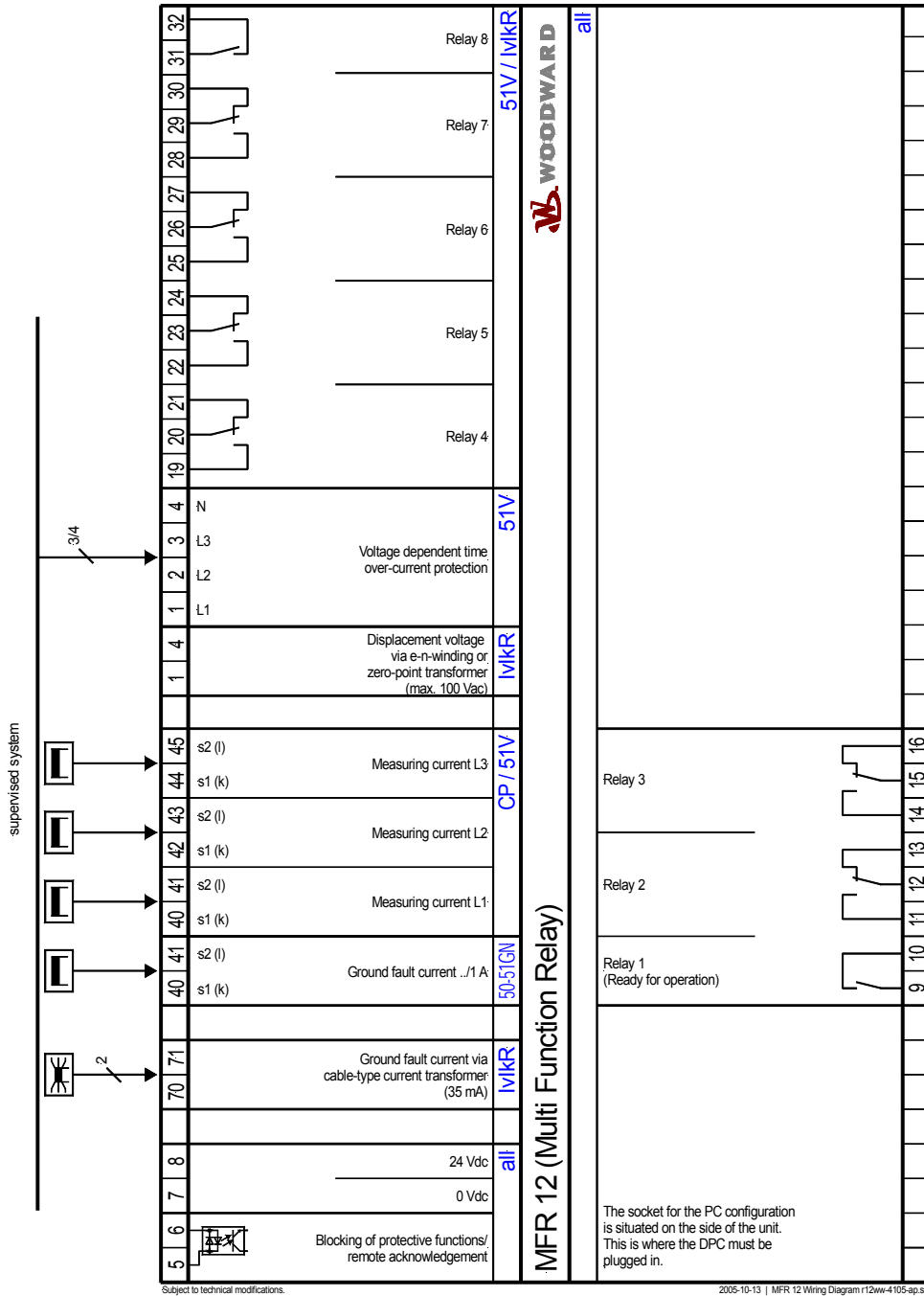


Figure 3-1: Wiring diagram



WARNING

All technical data and ratings indicated in this chapter are not definite! Only the values indicated under Technical Data on page 52 are valid!



CAUTION

A circuit breaker must be located near to the unit and in a position easily accessible to the operator. This must also bear a sign identifying it as an isolating switch for the unit.



NOTE

Inductive devices connected to the system (such as operating current coils, undervoltage tripping units, or auxiliary/power contacts) must be connected to a suitable interference suppressor.

The following chart may be used to convert square millimeters [mm²] to AWG and vice versa:

AWG	mm ²	AWG	mm ²	AWG	mm ²	AWG	mm ²	AWG	mm ²	AWG	mm ²
30	0.05	21	0.38	14	2.5	4	25	3/0	95	600MCM	300
28	0.08	20	0.5	12	4	2	35	4/0	120	750MCM	400
26	0.14	18	0.75	10	6	1	50	300MCM	150	1000MCM	500
24	0.25	17	1.0	8	10	1/0	55	350MCM	185		
22	0.34	16	1.5	6	16	2/0	70	500MCM	240		

Table 3-1: Conversion chart - wire size

Power Supply

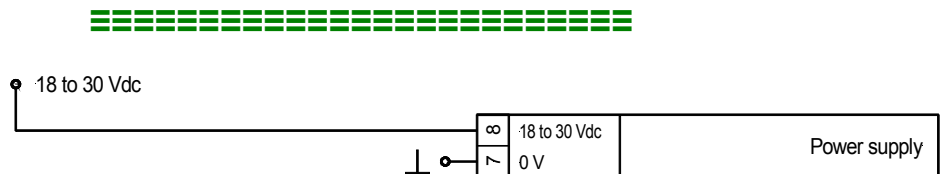


Figure 3-2: Power supply

Terminal	Description	A _{max}
Standard		
8	18 to 30 Vdc	2.5 mm ²
7	0 V reference point	2.5 mm ²

Measuring Inputs



Current



WARNING

Prior to disconnecting the current transformer connections or the connections of the transformer which are located at the unit, ensure that the transformer is short-circuited.



NOTE

Grounding of the secondary of a current transformer must always be single-sided.

Overcurrent, Line-to-Ground Protection (Packages CP / 51V)

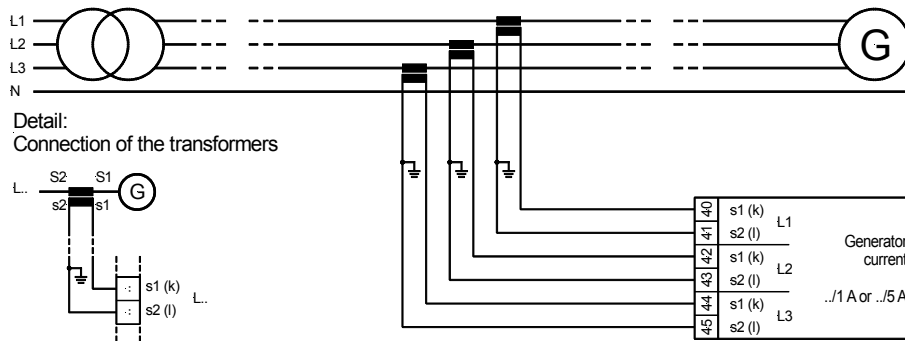


Figure 3-3: Measuring inputs - current

Terminal	Measurement	Description	A _{max}
40	Transformer ..1 A or ..5 A	Generator current L1, transformer terminal s1 (k)	4 mm ²
41		Generator current L1, transformer terminal s2 (l)	4 mm ²
42		Generator current L2, transformer terminal s1 (k)	4 mm ²
43		Generator current L2, transformer terminal s2 (l)	4 mm ²
44		Generator current L3, transformer terminal s1 (k)	4 mm ²
45		Generator current L3, transformer terminal s2 (l)	4 mm ²



NOTE

The current transformers installation location will determine the protection area of the ground fault monitoring.

Ground Current for Low-Impedance or Solidly Grounded Systems (Package 50-51GN)

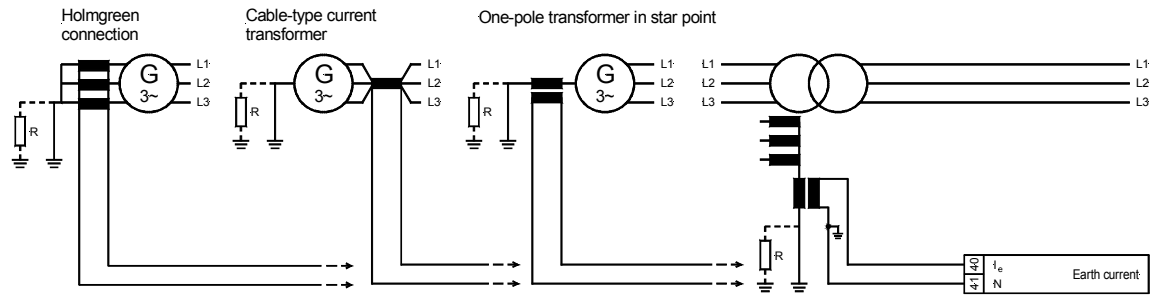


Figure 3-4: Measuring inputs - Connections

Terminal	Measurement	Description	A _{max}
40	via Holmgreen Connection	Ie (Ground current)	4 mm ²
41		N	4 mm ²
40	via cable-type current transf.	Ie (Ground current)	4 mm ²
41		N	4 mm ²
40	via one-pole transformer	Ie (Ground current)	4 mm ²
41		N	4 mm ²



NOTE

The current transformers installation location will determine the protection area of the ground fault monitoring.

Ground Current for Isolated or Balanced Networks (Package IvIkR)

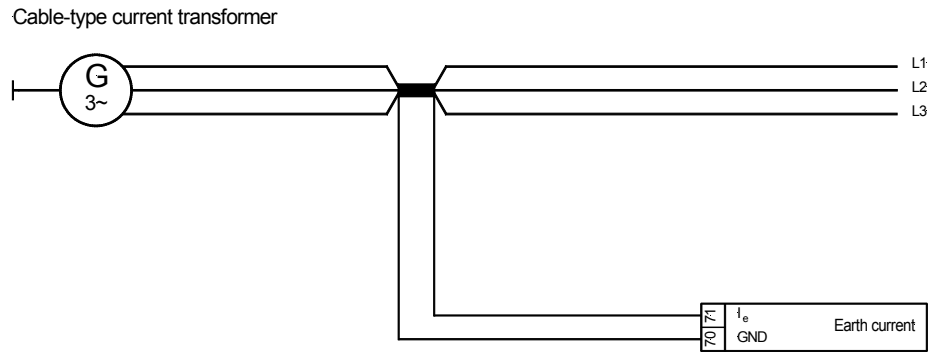


Figure 3-5: Measuring inputs - Connection

Terminal	Measurement	Description	A _{max}
71	Transformer	Ground current Ie	2.5 mm ²
70	35 mA	GND	2.5 mm ²

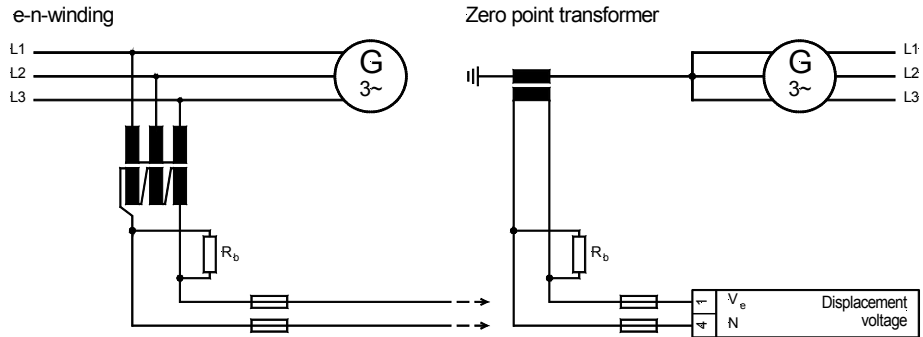
Voltage

Neutral Voltage Displacement (Package Ivkr)



WARNING

Voltage dividers must be utilized on voltage potential transformers that have secondary outputs greater than 100 Vac.



R_b = Loading resistor

Figure 3-6: Measuring inputs - Displacement voltage

Terminal	Measurement	Description	A_{max}
Zero point transformer			
1	via zero point transformer	V_e (displacement voltage)	2.5 mm ²
4		N	2.5 mm ²
Open e-n-winding			
1	via e-n-winding	V_e (displacement voltage)	2.5 mm ²
4		N	2.5 mm ²

Reference Voltage (Package 51V)



NOTE

The reference voltage is used as overcurrent tripping depending on the monitored undervoltage and as overcurrent tripping depending on the direction.

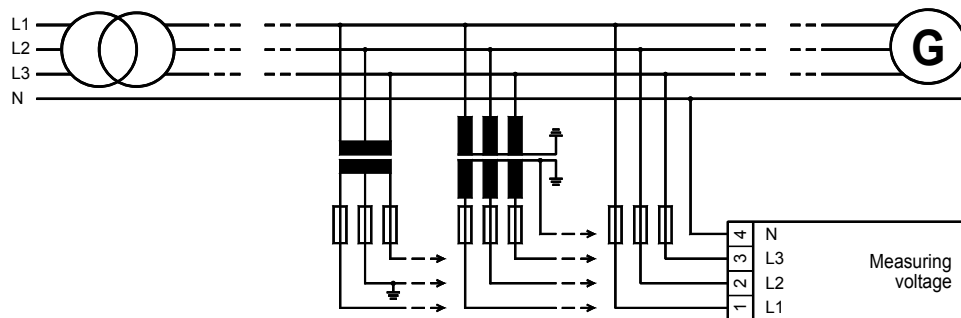


Figure 3-7: Measuring inputs - Reference voltage

Terminal	Measurement	Description	A_{max}
1	400V direct or via transd. $\dots/100V$	Measuring voltage L1	2.5 mm ²
2		Measuring voltage L2	2.5 mm ²
3		Measuring voltage L3	2.5 mm ²
4		Star point of three-phase current system/ meas. transf.	2.5 mm ²

Discrete Inputs

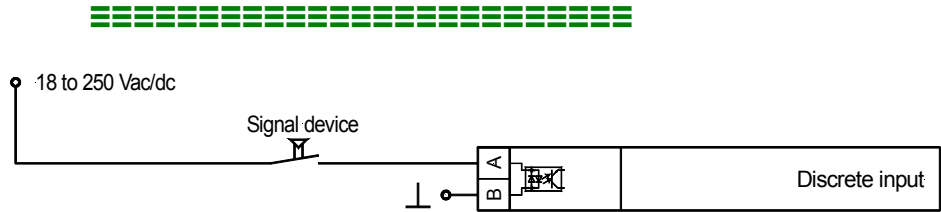


Figure 3-8: Discrete inputs

Terminal	Assigned common	Description (according to DIN 40 719 Part 3, 5.8.3)	A _{max}
A	B		
5	6	Blocking of protective functions / remote acknowledgement	2.5 mm ²

Outputs

Relay Outputs (Standard / Packages 51V & IvIkR)

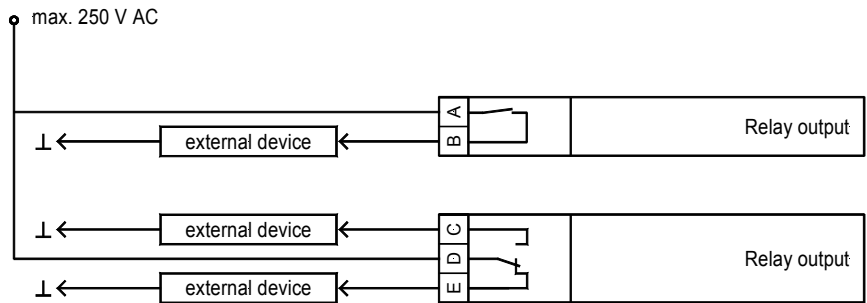



Figure 3-9: Relay outputs

Terminal			Description	A _{max}
Make-contact				
root	closing			
A	B			
9	10		Relay 1	2.5 mm ²
31	32		Relay 8 Packages 51V & IvIkR	2.5 mm ²
Change-over contact				
closing	root	opening		
C	D	E		
11	12	13	Relay 2	2.5 mm ²
14	15	16	Relay 3	2.5 mm ²
19	20	21	Relay 4 Packages 51V & IvIkR	2.5 mm ²
22	23	24	Relay 5 Packages 51V & IvIkR	2.5 mm ²
25	26	27	Relay 6 Packages 51V & IvIkR	2.5 mm ²
28	29	30	Relay 7 Packages 51V & IvIkR	2.5 mm ²


Interface




DPC - Direct Configuration Interface

 **NOTE**
Configuration with the direct configuration cable DPC (P/N 5417-557) is possible. A laptop/PC, the DPC cable, the program LeoPC1 version 3.1.1 or higher (included on CD Rom with unit), and the proper configuration files are required. Please consult the online help installed when the program is installed for a description of the LeoPC1 program and its setup.

 **WARNING**
Only the DPC cable may be connected to the DPC interface. If other devices or lines are connected, the unit may be destroyed. Especially the connection of live lines (like phone lines) will destroy the unit.

 **CAUTION**
The connection cable delivered with the DPC must be used between DPC and the unit to ensure proper functionality of the unit. An extension or utilization of different cable types for the connection between the unit and DPC may result a malfunction of the unit. This may possibly result in damage to components of the system. If an extension of the data connection line is required, only the serial cable (RS-232) between DPC and laptop/PC may be extended. It is recommended to use an industry standard cable for this.

 **NOTE**
If the parameter "Direct config." is enabled on the control, communication via the CAN bus interface on terminals X1/X5 is disabled.
If the control unit detects that the engine is running (ignition speed exceeded), the direct configuration port is disabled.

Chapter 4. Functional Description

Functional Table



Monitoring Ve	Monitoring Ie	Line-to-ground directional fault	DI Blocking	Function	Message
0	0	X	X		
0	1	X	0	Tripping Ie>	Ground fault current 1/2
0	1	X	1	Tripping Ie> blocked	
1	0	X	X	Tripping Ve	Line-to-ground fault Ve
1	1	0	0	Tripping Ie (falls Ve>*), nondirectional	Ground fault current 1/2
1	1	0	1	Tripping Ve>, Ie> blocked	Line-to-ground fault Ve
1	1	1	0	Tripping Ie>	Line-to-ground fault 1/2
1	1	1	1	Tripping Ve>, Ie> blocked	Line-to-ground fault Ve

*) By exceeding maybe relay output "Excitation line-to-ground fault Ve", no display message.

Application flow, if Ve and Ie were activated

Threshold Ve will be exceeded:

no display message if so relay message "Excitation line-to-ground fault Ve"

Threshold Ie will also be exceeded:

message "Line-to-ground fault", if setting Line-to-ground fault directional = ON with direction control

Control Inputs



Blocking of protective functions / Remote acknowledgement
Terminal 5/6

Energizing this discrete input disables various protective functions. This functionality may be desired if the control is used for generator protection. This keeps the control from recognizing fault conditions (i.e. undervoltage, underfrequency) when the generator is not operating. If blocking of these protective functions is not required, the discrete input should not be connected to any potential source.

The following protective function cannot be blocked via this discrete input:

- **Non-directional ground fault monitoring via displacement voltage**

External acknowledgement of the relays via the discrete input "Blocking of protective functions / remote acknowledgement"

If the unit should not automatically reset the relays after the fault is no longer present, the parameter "**Auto clearing Relays**" must first be configured "**OFF**" (refer to "Auto Acknowledgement of the Relay" on page 46).

External Clearing ON

OFF.....Alarms that cannot be blocked will not automatically reset after the fault condition is no longer present. Pressing the "Clear" button resets the relays.

ON.....All alarm messages are reset if terminals 5/6 ("Blocking of protective functions / remote acknowledgement") are energized. Alarms that cannot be blocked are only reset after the fault is no longer present.

Control Outputs



NOTE

A description of the relay manager may be found in **Changing the Relay Assignment (Standard / Packages 51V & IvIkR)** starting on page 48.

Relay 1 Output relay (type: make contact, N.O.)
Terminal 9/10 The "relay manager" controls this relay.



NOTE

The "ready for operation" function is always assigned to relay 1. However, other protective functions may also be assigned to relay 1 additionally. Relay 1 is always configured as Normally Closed (break contact) and will de-energize if the unit is not ready for operation.

Relay 2, 3 Output relay (type: change-over contact)
Terminal 11 through 16 The "relay manager" controls these relays.

Packages 51V & IvIkR
Relay 4 to 7 Output relay (type: change-over contact)
Terminal 19 through 30 The "relay manager" controls these relays.

Packages 51V & IvIkR
Relay 8 Output relay (type: make contact, N.O.)
Terminal 31/32 The "relay manager" controls this relay.

Alarms



Alarm Messages

Table 4-1 contains a list of all alarm messages that the control may monitor for depending on how the unit is configured:

Alarm type		Alarm text
Independen time-overcurrent, level 1	Packages CP / 51V	Ov.curr. 1
Independen time-overcurrent, level 2	Packages CP / 51V	Ov.curr. 2
Independen time-overcurrent, level 3	Packages CP / 51V	Ov.curr. 3
Inverse time-overcurrent with voltage restraint	Package 51V	I> (invers)
Inverse time-overcurrent	Package 51V	I> (invers)
Ground fault, level 1	Standard	Earthcur.1
Ground fault, level 2	Standard	Earthcur.2
Non-directional ground fault via displacement voltage	Package IvkR	E.fault Ve

Table 4-1: Alarm messages

Alarm Acknowledgement

A fault/alarm is indicated by the "Alarm" LED.

By pressing the "Clear" button, the active faults are acknowledged. The following distinction is made between fault conditions:

The fault ...

- is still active** As long as the fault is still present, it cannot be acknowledged. The flashing "Alarm" LED on the front panel indicates that the alarm is still active.
- is no longer active** When the active fault has been eliminated, the flashing "Alarm" LED changes to steady illumination. If the parameter "Auto clearing displays" is configured "ON", the LED extinguishes after the resetting time has expired. If the parameter "Auto clearing displays" is configured "OFF", the LED is extinguished only after pressing the "Clear" button.

Chapter 5. Display and Operating Elements

The pressure-sensitive membrane of the front panel consists of a plastic coating. All keys have been designed as touch-sensitive membrane switch elements. The display is an LC-display, consisting of 2 rows of 16 characters each, with indirect green lighting. The contrast of the display can be infinitely adjusted via a rotary potentiometer positioned on the right side of the control. The configuration plug is located on the right side of the unit as well. Please connect the direct configuration cable there (DPC).

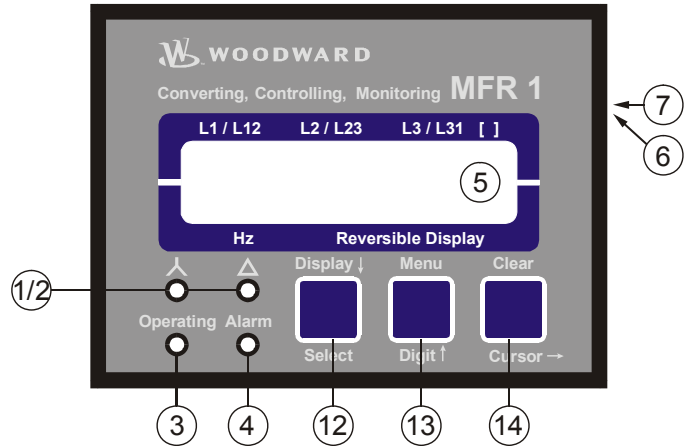


Figure 5-1: Front panel

Brief Description of LEDs and Push Buttons



LEDs

No.	Description	Function
1	"Wye"	Indication of the wye (star) voltages
2	"Delta"	Indication of the delta voltages
3	"Operating"	Automatic mode
4	"Alarm"	Alarm occurred

Push Buttons

No.	Description	Function
12	Display↓	Advance to next screen
12	Select	Confirm selection
13	Menu	Select menu
13	Digit↑	Increase the digit
14	Clear	Acknowledgement of alarm messages
14	Cursor→	Move cursor one position to the right

Miscellaneous

No.	Description	Function
5	LC Display	LC Display
6	Potentiometer	Adjust LCD contrast
7	DPC plug	Configuration plug

LEDs



NOTE

If neither of the "Wye" and "Delta" LEDs is illuminated, the first line of the display indicates the measured currents of the phases.

1	"Wye" Color: Yellow	Indication of the wye voltages <hr/> If this LED is illuminated, the values indicated on the display are the wye (star) voltages (phase-neutral).
2	"Delta" Color: Yellow	Indication of the delta voltages <hr/> If this LED is illuminated, the values indicated on the display are the delta voltages (phase-phase).
3	"Operation " Color: Green	Operation <hr/> This LED is illuminated constantly when the control unit is in the Automatic mode. If this LED is flashing, the control is in the configuration mode.
4	"Alarm" Color: Red	Alarm <hr/> This LED flashes as long as a set point limit is exceeded. When all measuring values are below the configured set point limits again and "Auto clearing display" is configured "OFF", this LED will change to steady illumination.

Push Buttons



In order to facilitate the setting of the parameters the buttons are equipped with an "AUTOSCROLL" function while the controller is in the configuration mode. It permits the user to rapidly advance to the next setting and configuration screens, the digits, or the cursor position. The "AUTOSCROLL" function will only be enabled when the user presses and holds the corresponding buttons.

- | | | |
|----|---|---|
| 12 | Display↓ / Select
Color: none | Display↓ / Select <hr/> <p>Automatic mode: <u>Display↓</u> - By pressing this button, the user advances through the display of operating (wye voltages, delta voltages, wire currents) and alarm messages. The "Wye" and "Delta" LEDs are illuminated accordingly.</p> <p>Configuration: <u>Select</u> - By pressing this button, the user advances to the next configuration screen. If the value originally displayed has been changed via the "Digit↑" or "Cursor→" push buttons, the newly set value is saved by pressing the "Select" push button once. By pressing the button again, the user causes the system to advance to the next configuration screen.</p> |
| 13 | Menu / Digit↑
Color: none | Menu / Digit↑ <hr/> <p>Automatic mode: <u>Menu</u> - By pressing this button, the user advances through the messages displayed on the second line of the display. (Various measured values and any alarm messages that have not been cleared are indicated.)</p> <p>Configuration: <u>Digit↑</u> - By pressing this button, the digit at which the cursor is presently located is increased by one digit. The increase is restricted by the permissible limits (see list of parameters included in Appendix D). If the highest permissible number has been reached, the number automatically returns to the lowest permissible number.</p> |
| 14 | Clear / Cursor →
Color: none | Clear / Cursor → <hr/> <p>Automatic mode: <u>Clear</u> - Individual alarm messages are deleted by pressing this button provided the fault is no longer present.</p> <p>Configuration: <u>Cursor→</u> - This button moves the cursor one position to the right. When the cursor reaches the extreme right position it may be returned to the extreme left position by pressing the Cursor→ button again.</p> |

LC Display



5 LC Display LC display

Performance values can be monitored from the two-line display, provided that the control is in automatic mode. In configuration mode, the individual parameters are displayed.

Display in Automatic Mode (First Line of the Display: Measured Values)



NOTE

The user can scroll through the first display line with the button "Display ↓".

Packages CP & 51V

"Wye" = off, "Delta" = off
Phase currents

```
453 452 454 A
-----
```

Package 51V

"Wye" = on, "Delta" = off
Wye voltages

```
230 230 230 V
-----
```

"Wye" = off, "Delta" = on
Delta voltage

```
400 400 400 V
-----
```

"Wye" = off, "Delta" = off
Phase currents

```
314 314 314 A
-----
```

Package IvIkR

```
Earth Fault mon.
-----
```

Display in automatic mode, first line: measured values

The following measured values are displayed (depending on the "Wye" and "Delta" LEDs):

- **Packages CP:**
The phase currents (I_{L1} , I_{L2} and I_{L3}) are displayed.
- **Package 51V:**
 - The "Wye" LED is illuminated, and the "Delta" LED is off.
The wye (star) voltages (V_{L1-N} , V_{L2-N} and V_{L3-N}) of the four-wire system are indicated. If the application is a three-wire system, the configuration screen "**volt. - Measuring**" must be configured to "**phase to phase**". The "Wye" LED will not illuminate in this application.
 - The "Wye" LED is off and the "Delta" LED is illuminated.
The delta voltages (V_{L1-L2} , V_{L2-L3} and V_{L3-L1}) of the phase-to-phase system/phase - neutral system are indicated.
 - The "Wye" LED is off and the "Delta" LED is off.
The phase currents (I_{L1} , I_{L2} and I_{L3}) are displayed
- **Packages IvIkR & 50-51GN:**
No measured values are displayed. The message "Earth Fault mon." is displayed.

Display in Automatic Mode (Second Line of the Display: Measured Values)



NOTE

The "Menu" button may be used to scroll through the messages shown on the second line of the display.

```
-----
00.00 xxxxxxxxxxxx
```

Display in automatic mode, second line: measured values

The frequency is always indicated in [Hz].

Instead of "xxxxxxxx" the following measuring values are indicated:

- Displacement voltage Ve Unit static in [%] [Package IvIkR](#)
- Ground current Ie Unit static in [%] [Packages CP / 51V](#)
- Ground current Ie Unit static in [0.01 %] [Package IvIkR](#)

Display in Automatic Mode (Second Line of the Display: Alarm Indication)



NOTE

The user may scroll through the alarm messages that have occurred with the "Menu" button.

```
-----
00.00 yyyyyyyyyy
```

Display in automatic mode, second line: alarm indication

Alarm messages are shown on the bottom line of the unit display. Table 5-1 contains a list of all alarm messages that the control may monitor for depending on how the unit is configured.

Alarm type		Alarm text
Independen time-overcurrent, level 1	Packages CP / 51V	Ov.curr. 1
Independen time-overcurrent, level 2	Packages CP / 51V	Ov.curr. 2
Independen time-overcurrent, level 3	Packages CP / 51V	Ov.curr. 3
Inverse time-overcurrent with voltage restraint	Package 51V	I> (invers)
Inverse time-overcurrent	Package 51V	I> (invers)
Ground fault, level 1	Standard	Earthcur.1
Ground fault, level 2	Standard	Earthcur.2
Non-directional ground fault via displacement voltage	Package IvIkR	E.fault Ve

Table 5-1: Alarm messages

Chapter 6. Configuration

Configuration can be performed via the front panel push buttons and the front panel LC display or using a PC and the PC program LeoPC1 via the serial interface. If direct configuration via a PC is selected, the following baud rate is to be used:

- Configuration via direct configuration plug = 9,600 Baud (8 Bit, no parity, 1 stop bit)



CAUTION

Please note that configuration only should be done while the system is not in operation.



NOTE

A list of all parameters may be found in Appendix D of this manual.

You can advance through the individual parameter screens if you are in configuration mode (simultaneously pressing of "Digit↑" and "Cursor→" push buttons permits access to the configuration mode) by using the "Select" button. If you press and hold the "Select" push button, the scroll function will be activated, allowing for the parameter screens to be advanced through more rapidly. The control unit will permit the operator to reverse up to four previous screens (exception: it is not possible to reverse from the first parameter to the last parameter). To perform the reverse function through the parameter screens, the "Select" and "Cursor→" push buttons must be pressed and released simultaneously. The control unit will revert to automatic mode if an entry isn't performed, a change made, or any other action performed for 120 seconds.

Adjust Settings: SELECT (ANWAHL)

Configuration mode

Button "Select"

After the configuration mode is enabled, the subsequent screens can be viewed and modified within the preset limits. Please note, that by depressing the "Select" button, the following screens are advanced by one screen each. If a parameter is configured "OFF", the related screens are not displayed or monitored by the control. Pressing the "Select" button will advance the displayed screen to the next parameter.

Basic Data



Software version
x.xxxx

Software version

This screen displays the software version loaded into the control (the last two xx are for software revisions which do not affect the function of the unit).

SPRACHE / LANGUAGE

Language selection

Deutsch/English

The desired language for the controller to operate in is set by this parameter. The screens (configuration and display screens) can be displayed either in German or English.

Configuration Access



Password

The unit is equipped with a three-level code and configuration hierarchy, which allows different user access to the control. A distinction is made between:

Code level CS0 (*User Level*)

Factory password = none

This code level allows for monitoring of the system and does not permit access to the parameters. Configuration is blocked.

Code level CS1 (*Basic Service Level*)

Factory password = "0 0 0 1"

This code level entitles the user to change selected controller set points, enable auto-clearing display, and to reset the kWh counter. Changing a password is not permitted at this level. This password expires two hours after entering the password and the user is returned to the CS0 level.

Code level CS2 (*Commissioning Level*)

Factory password = "0 0 0 2"

Allows direct access to all parameters (displaying and changing). In addition, the user may also set the password for levels CS1 and CS2. This password expires two hours after entering the password and the user is returned to the CS0 level.



NOTE

Once the code level is set, it will not be changed even after entering the configuration repeatedly an incorrect code number has been entered, the code level is set to CS0, thus locking the device for external persons.

If for 2 hours uninterruptedly supply voltage is applied, the device automatically switches to code level 0.



NOTE

The following configuration screen "Enter code number" only appears if the parameter "Password Protection" is configured "ON" (see below).

Enter code number	0000
-------------------	------

Enter code number **0000 to 9999**

Upon enabling the configuration mode, the user is required to enter an access code number, which identifies the various users. The displayed number XXXX is a randomly generated number. If the random number is confirmed by pressing the "Select" button without being changed, the current level of access maintained. Upon entering either a level 1 or level 2 access code, the corresponding level of access is granted. If an incorrect access code is entered the control unit changes to code level 0 and all access is blocked until a code level 1 or 2 access code is entered.

Password Protection	ON
---------------------	----

Password protection **ON/OFF**

ON Password protection is enabled. Configuration access is granted by entering the appropriate password (Code level 1/2). If an incorrect code number has been entered, configuration is blocked.

OFF Password protection is disabled. Access to configuration screens is permanently set to code level 2 and the code number is not queried. This parameter can only be changed if the code number of code level 2 has been entered.

Change Passwords

Define level 1 code	0000
---------------------	------

Define level 1 password **0000 to 9999**

This screen appears only when the level 2 password has been entered. After entering the digits into this screen, the code level for level 1 (basic service level) is set. After entering this code, the user only has the access rights assigned to this code level.

This code level (CS) is preset to **CS1 = 0 0 0 1**

Define level 2 code	0000
---------------------	------

Define level 2 password **0000 to 9999**

This screen appears only when the level 2 password has been entered. After entering the digits into this screen, the code level for level 2 (comissioning level) is set. After entering the code, the user has the access rights with which he was assigned. This code level (CS) is preset to **CS2 = 0 0 0 2**

Direct Configuration



NOTE

A direct configuration cable DPC (P/N 5417-557), the LeoPC1 program (supplied with the cable) and the corresponding configuration files are required to perform direct configuration. After the program has been installed, consult the online help for a description of the PC program and its setup.

For configuration of the unit via PC program please proceed as follows:

- Install the PC program on your laptop/PC according to the installation manual.
- Before the end of the installation you are requested to select the language with which you want to start the PC program. You can change the language at any time. The selection of the language refers only to language with which the menus and subprograms of the PC program works. This setting will not change the language of the control unit being configured.
- After the installation of the PC program reboot your laptop/PC.
- Establish the connection between your laptop/PC and the unit via the DPC. Plug one side to the configuration plug of the unit and the other side to the COM1 port of your laptop/PC (other possibilities are described in the installation manual).
- You may start the PC program as follows:
 - by "Start/Program/Woodward/LeoPC" (starting at version 3.1.xxx), or
 - by a double click on a file ending ".cfg" in the subdirectory "LeoPC".
- After the PC program has been started, establish the communication by pressing the "F2" button. This will establish a data link between the unit and the laptop/PC.
- Start the sub program "Device Parameterization" and adjust the parameter of the unit to your application using this manual.

Direct parametr. YES	Direct configuration	YES/NO
	YES Configuration via the configuration port is enabled. The following conditions must be met in order to carry out configuration via the direct configuration cable: <ul style="list-style-type: none"> - A connection must be established via the direct configuration cable between the unit and the PC - the Baud rate of the PC program must be set to 9,600 Baud - the corresponding configuration file must be used (file name: "xxxx-xxxx-yyy-zz.asm", initiated by xxxx-xxxx-yyy-zz.cfg) 	
	NO Configuration via the direct configuration port is disabled.	

Measurement



WARNING

The following values must be entered correctly for the generator to be monitored. Failure to do so may lead to incorrect measuring of parameters resulting in damage to or destruction of the generator or switchgear and/or personal injury or death.

Voltage Measurement (Package 51V)

Volt.-Measuring

Voltage measuring Phase to phase / Phase neutral

This screen only affects the displayed values. The protective functions are defined below.

This parameter determines how the voltage is to be measured.

Potential Transformer Configuration (Package 51V)

Volt.transformer
secondary 000V

Potential transformer secondary 50 to 125 V

The potential transformer secondary voltage is set here in V. This parameter is utilized to calculate the system voltage in the display. For voltages measured without a potential transformer, secondary and primary voltage must be configured the same.

Volt.transformer
primary 00.000kV

Potential transformer primary 00.100 to 65.000 kV

The potential transformer primary voltage is set here in kV. This entry is used to show the system voltage in the display.

Example: If a voltage of 110 V is measured without a potential transformer, the secondary transformer voltage must be configured to 110V and the primary transformer voltage must be configured to 00.110V.

Current Transformer Configuration

Current transf.
0000/0

Current transformer 1 to 9,999/{x} A

The input of the current transformer ratio is necessary for the indication and control of the actual monitored value. The current transformers ratio should be selected so at least 60% of the secondary current rating can be measured when the monitored system is at 100% of operating capacity (i.e. at 100% of system capacity a 5A CT should output 3A). If the current transformers are sized so that the percentage of the output is lower, the loss of resolution may cause inaccuracies in the monitoring and control functions and may affect the functionality of the control.

The control may be ordered with either ../1 A or ../5 A current transformer inputs. The CT inputs will dictate how this parameter is displayed on the control. Information about the current transformers inputs may be found on the unit data plate.

{x} = 1.....MFR12x1B/xxx = Current transformer with ../1 A rated current
{x} = 5.....MFR12x5B/xxx = Current transformer with ../5 A rated current

Rated Values

Rated voltage 000V	Rated voltage 5 to 125 V
	This parameter defines the system rated voltage.
Rated current 0000A	Rated current 10 to 9,999 A
	The system current rating is defined in this parameter. Percentage values in the protective functions refer to this parameter.
Rated power 00000kW	Rated power 5 to 32,000 kW
	The rated power is configured here. The exact value of the rated power is absolutely vital. Many measurement, control, and monitoring functions refer to this value.

Power Measurement

Power measuring -----	Power measurement one-phase / three-phase
	<p>Power measurement may be configured as single-phase or three-phase. If "single-phase power measurement" is set, the current and the voltage in phase L1 are used for power measurement. If "three-phase power measurement" is set, all three-phase currents and the relevant voltages are used for power measurement.</p> <ul style="list-style-type: none"> • one-phase power measurement: $P = \sqrt{3} \times V_{L12} \times I_{L1} \times P.F (\cos\phi)$ • three-phase power measurement: $P = V_{L1N} \times I_{L1} \times P.F (\cos\phi) + V_{L2N} \times I_{L2} \times P.F (\cos\phi) + V_{L3N} \times I_{L3} \times P.F (\cos\phi)$

Protection



Independent Time-Overcurrent Monitoring (Packages CP / 51V)



NOTE

All percentage values of the current refer to the rated current (page 30).

Function: Current is monitored depending on parameter "Overcurrent Monitoring". The time-overcurrent alarm contains three limits and can be setup as a step definite time overcurrent alarm as illustrated in the figure below. Monitoring of the maximum phase current is performed in three steps. Every step can be provided with a delay time independent of the other steps.

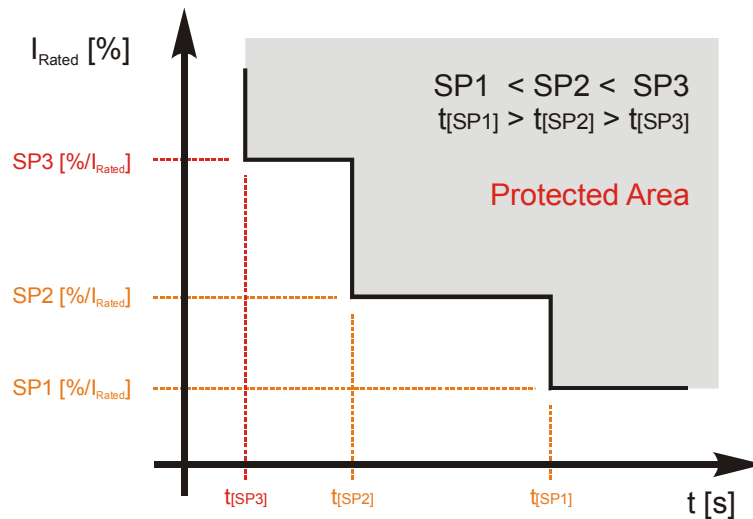


Figure 6-1: Diagram for independent time-overcurrent monitoring

Overcurrent Monitoring ON

Independent time-overcurrent monitoring **ON/OFF**

ONIndependent time-overcurrent monitoring is enabled and the subsequent screens of this function are displayed.

OFFIndependent time-overcurrent monitoring is disabled and the subsequent screens of this function are not displayed.

Overcurrent 1 I > 000%

Threshold independent time-overcurrent, level 1 **0 to 300 %**

Overcurrent (level 1) is defined by this parameter. The percentage configured in this parameter refers to the configured rated system current (refer to page 30). If this limit is reached or exceeded, the unit outputs the message "**overcurrent 1**". If a relay was assigned to this function in the relay manager, that relay will be energized.

Overcurrent 1 Delay 00.00s

Pickup delay, level 1 **0.02 to 99.98 s**

In order to initiate an overcurrent (level 1) alarm, the measured current must exceed and remain above the configured level 1 threshold without interruption for at least the period of time specified in this screen.

Overcurrent 2 I> 100%	Threshold independent time-overcurrent, level 2 0 to 300 %
	<p>Overcurrent (level 2) is defined by this parameter. The percentage configured in this parameter refers to the configured rated system current (refer to page 30). If this limit is reached or exceeded, the unit outputs the message "overcurrent 2". If a relay was assigned to this function in the relay manager, that relay will be energized.</p>
Overcurrent 2 Delay 00.00s	Pickup delay, level 2 0.02 to 99.98 s
	<p>In order to initiate an overcurrent (level 2) alarm, the measured current must exceed and remain above the configured level 2 threshold without interruption for at least the period of time specified in this screen.</p>
Overcurrent 3 I> 100%	Threshold independent time-overcurrent, level 3 0 to 300 %
	<p>Overcurrent (level 3) is defined by this parameter. The percentage configured in this parameter refers to the configured rated system current (refer to page 30). If this limit is reached or exceeded, the unit outputs the message "overcurrent 3". If a relay was assigned to this function in the relay manager, that relay will be energized.</p>
Overcurrent 3 Delay 00.00s	Pickup delay, level 3 0.02 to 99.98 s
	<p>In order to initiate an overcurrent (level 3) alarm, the measured current must exceed and remain above the configured level 3 threshold without interruption for at least the period of time specified in this screen.</p>
Overcurrent Hysteresis 000%	Hysteresis for the independent time-overcurrent monitoring, levels 1, 2 + 3 1 to 300 %
	<p>In order to prevent system fluctuations from continually initiating overcurrent alarms (levels 1, 2 + 3), a lower release point is defined here. If the control monitors the current above the permissible limit, the current must drop below that threshold and the current level defined here for the fault condition to be recognized as no longer existing.</p> <p>Example: If a 1000A system has an overcurrent limit 1 of 110% (1100A) and a hysteresis of 105% (1050A), the monitored current for an overcurrent alarm must drop below 1050A to reset the alarm.</p>

Inverse Time-Overcurrent Monitoring (Package 51V)



NOTE

All percentage indications of the current refer to the rated current (see page 30).



NOTE

This monitoring function is only available if Inverse time-overcurrent with voltage restraint is disabled.

Function: Monitoring of overcurrents including inversely proportional time dependent tripping characteristic. The selected trip curve defines the tripping time according to the measured current. The tripping time will be decreased according to a defined curve the higher the measured current is. According to IEC 255 three different characteristics are available.

Normal inverse:
$$t = \frac{0.14}{(I/I_p)^{0.02} - 1} * t_p [s]$$

Very inverse:
$$t = \frac{13.5}{(I/I_p) - 1} * t_p [s]$$

Extremely inverse:
$$t = \frac{80}{(I/I_p)^2 - 1} * t_p [s]$$

Formula definitions:	t:	tripping time
	t _p	time set point value
	I	fault current / monitored current
	I _p	current set point value

If t is greater than 162 s the system trips at 162 s. If t is lower than t_{min} the tripping time is t_{min}. The reaction time for t_{min} depends on the time it takes to monitor the fault and the operating time of the relays. t_{min} is at least 20 ms.

Please consider during configuration:

for I_{start}: I_{start} > I_n and I_{start} > I_p
 for I_p: the smaller I_p is, the steeper is the slope of the tripping curve

Configuration Screens

Inv.time ov.cur.
Monitor. ON

Inverse time-overcurrent monitoring ON/OFF

ON..... Inverse time-overcurrent monitoring is enabled. The subsequent screens of this function are displayed.

OFF..... Inverse time-overcurrent monitoring is disabled. The subsequent screens of this function are not displayed.

Inv.time char.

Inverse time-overcurrent: characteristic Normal / High / Extreme

Normal..... "Normal inverse" characteristic used

High..... "Very inverse" characteristic used

Extreme..... "Extremely inverse" characteristic used

Inv.time ov.cur.
Tp=0.00s

Inverse time-overcurrent: time constant Tp 0.01 to 1.99s

The time constant for t_p is defined by this parameter.

Inv.time ov.cur.
Ip=0.0*In

Inverse time-overcurrent: current constant Ip 0.1 to 3.0*In

The current constant for I_p is defined by this parameter. This setpoint is dependent upon the rated current (I_n)

Inv.time ov.cur.
I start= 0.00*In

Inverse time-overcurrent: I-Start 1 to 3.00*In

The lower tripping value for inverse time-overcurrent protection is defined by this parameter. If the monitored current (I) is below I_{Start} , the inverse time-overcurrent protection does not trip. I_p is used as the lower tripping value if I_{Start} is configured less than I_p .

Characteristics

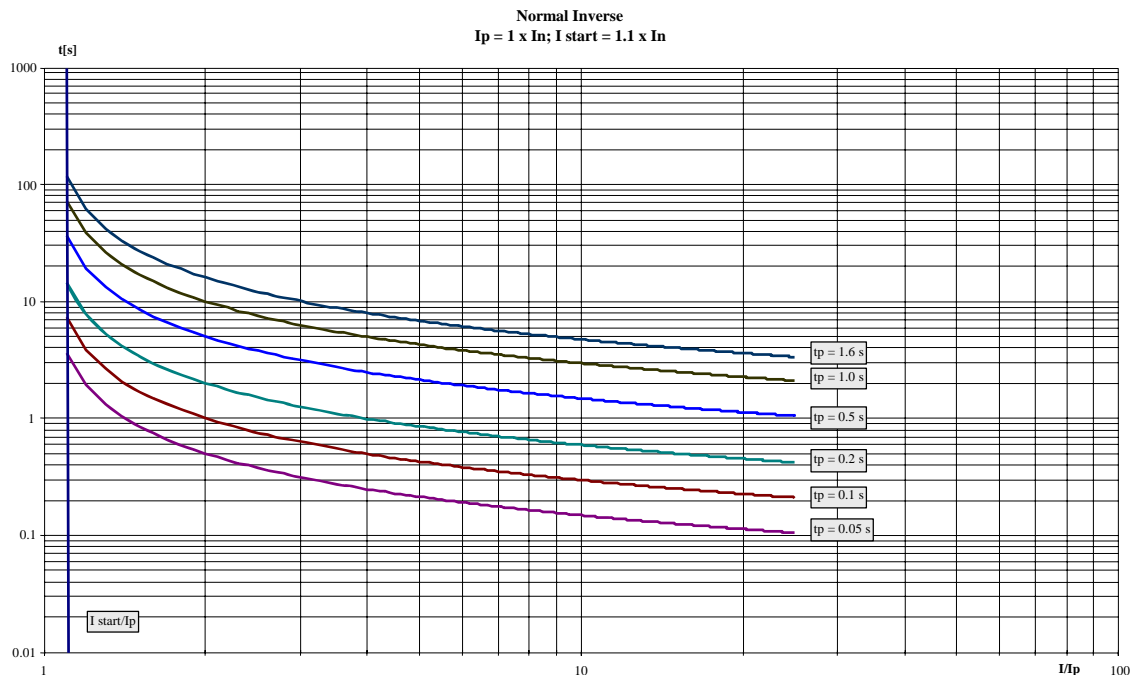


Figure 6-2: Inverse time-overcurrent - characteristic "normal inverse"

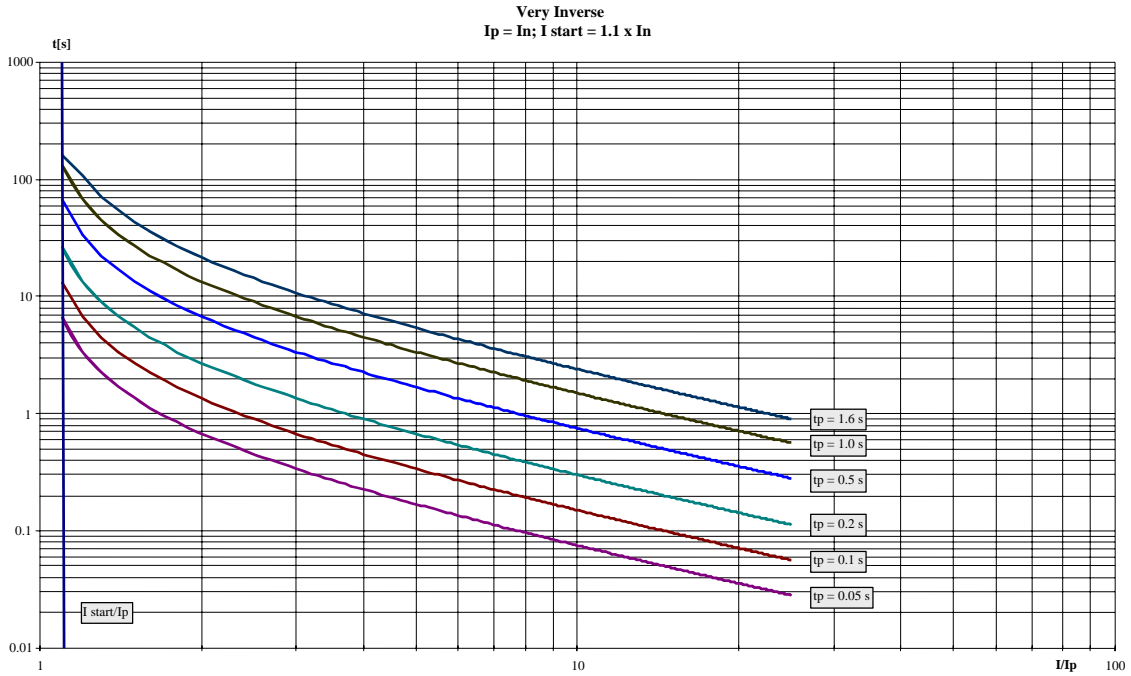


Figure 6-3: Inverse time-overcurrent - characteristic "very inverse"

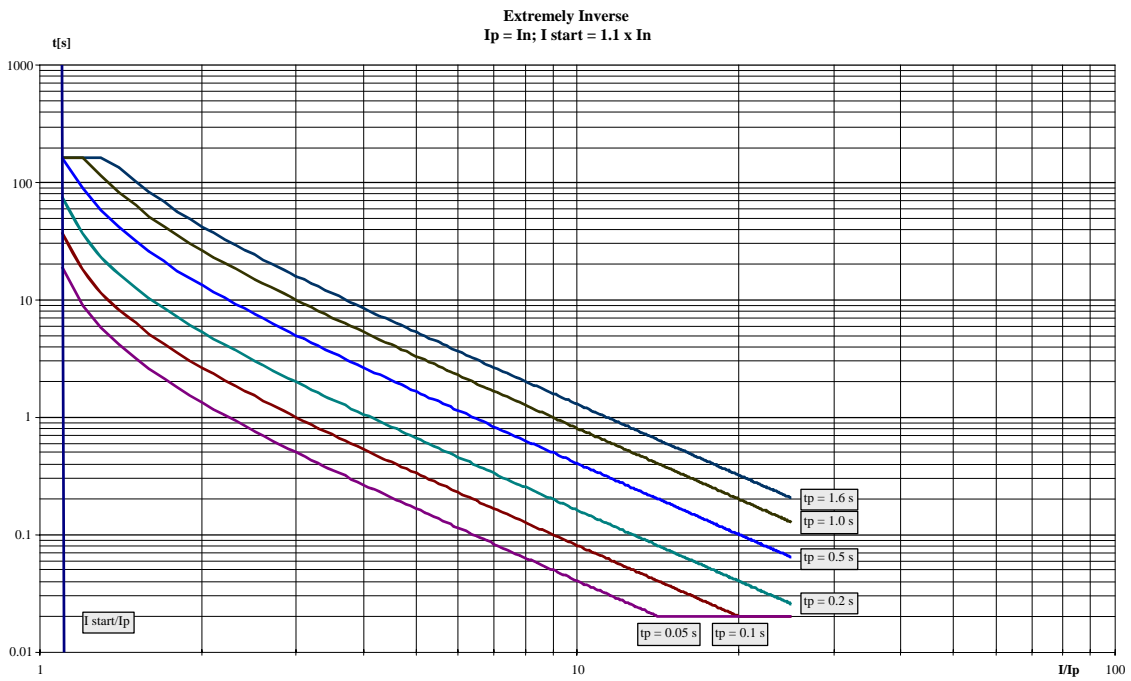


Figure 6-4: Inverse time-overcurrent - characteristic "extremely inverse"

Inverse Time-Overcurrent Monitoring with Voltage Restraint (Package 51V)



NOTE

This monitoring function is an additional functionality for the inverse time overcurrent monitoring function. If the inverse time overcurrent monitoring is disabled, time-overcurrent monitoring with voltage restraint is disabled too.

All percentage indications of the current are in relation to the rated current (see page 30).

Function: This function is recommended for a generator that must be monitored with droop excitation and precautions for short-circuit excitation (e.g. supplementary components) are not available. A short-circuit close to the terminal may be caused due to the low voltage excitation cannot be maintained. As a result, the unit cannot maintain power in order to initiate a voltage independent overcurrent delay. The voltage restraint functionality reduces the overcurrent threshold of the inverse time overcurrent monitoring function proportionally with the monitored voltage if this function is enabled. If the monitored voltage falls below the threshold defined by the knee curve setting, the overcurrent threshold remains at the value of the knee curve setting. The reduction of the inverse time threshold occurs according to Figure 6-5.

Current L1: corresponds to voltage L1-L2

Current L2: corresponds to voltage L2-L3

Current L3: corresponds to voltage L3-L1

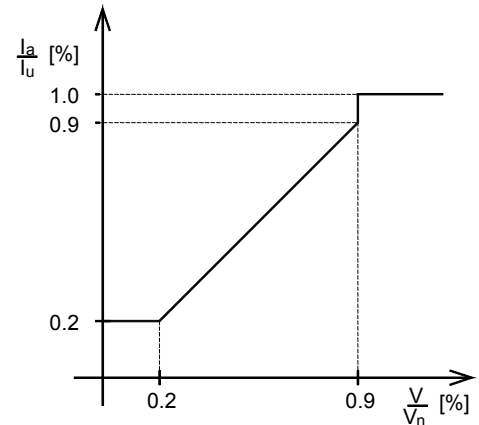


Figure 6-5: Characteristic of the inverse time-overcurrent monitoring with voltage restraint (knee curve setting 20 %)

Legend:	I_a	Adjusted current threshold value
	I_p	Configured value (configured with inverse time overcurrent monitoring)
	V_n	Rated voltage
	V	Monitored voltage

Example:

Initial conditions:

Rated voltage $V_n = 100 \text{ V}$

Configured value $I_p = 2.0 * 5 \text{ A} = 10 \text{ A}$ (rated current $I_n = 5 \text{ A}$)

Case 1 (monitored voltage $V > 90\% V_n$):

As long as the monitored voltage exceeds 90% of the rated voltage, the configured value will not be adjusted.

-> $I_a = I_p$

Case 2 (monitored voltage $V < 90\% V_n$, but actual voltage $V >$ knee curve setting):

If the monitored voltage falls below 90% of the rated voltage, the configured value is adjusted proportionally with the ratio of monitored and rated voltage.

-> $I_a = (V/V_n) * I_p$

Case 3 (monitored voltage $V <$ knee curve setting):

If the monitored voltage falls below the percentage value of the rated voltage configured by the knee curve setting, the configured value is adjusted to the proportional value at the knee curve setting.

-> $I_a = \{(\text{knee point setting in } [\%]) / 100\} * I_p$

If the knee curve setting is configured to 20% for example and the monitored voltage is lower than 20% of the rated voltage, the adjusted value I_a falls not below 20% of the configured value I_p .

Inv.time ov.cur. V-restr. ON

Inverse time-overcurrent monitoring with voltage restraint **ON/OFF**

ONInverse time-overcurrent monitoring with voltage restraint is enabled. The subsequent screens of this function are displayed.

OFFInverse time-overcurrent monitoring with voltage restraint is disabled. The subsequent screens of this function are not displayed.

Inv.time ov.curr knee curve U>00%

Threshold inverse time-overcurrent with voltage restraint **10 to 90 %**

The threshold limit for the voltage is defined in this parameter. The knee of the curve describes the lower limit of the threshold value lowering, i.e. the trip current belonging to this limit remains valid and will not be lowered further in case of an additional voltage drop.

Ground Fault Monitoring (Packages CP / 51V / 50-51GN)

Ground fault monitoring for low-impedance or solidly grounded systems.

Function: The ground fault monitoring can be configured for two threshold limits. The third harmonics single-phase components may result in false currents being monitored on the grounding circuit. A digital anti-aliasing filter is utilized to separate these harmonics and prevent inaccurate values caused by harmonics from being displayed. If the actual sine wave of the ground current exceeds the configured threshold, an alarm message is displayed. This message can be suppressed with the discrete input "Blocking of protective functions / remote acknowledgement".

Acquiring the measured value:

- Ground fault, measured (Package 50-51GN)
The ground current is generally measured via a single-phase current transformer (./1A) at the neutral point of the wye system, current transformers connected in Holmgreen, or with a cable-type transformer.
- Ground fault, calculated (Packages CP / 51V)
The ground current is measured by calculating the vectorial sum of the three monitored phase currents. The current transformer should be sized so that the configured ground current threshold is at least 10% of the transformer's current rating to ensure proper operation.

Earth current monitoring ON	Ground fault monitoring ON/OFF
	ON Ground fault monitoring is enabled. The subsequent screens of this function are displayed.
	OFF Ground fault monitoring is disabled. The subsequent screens of this function are not displayed.
Earth current 1 Response = 000%	Threshold ground fault, level 1 10 to 300 %
	Ground fault current (level 1) is defined by this parameter. The percentage configured here refers to the configured rated current (refer to page 30). If this limit is reached or exceeded, the unit outputs the message " Earthcur.1 ". If a relay was assigned to this function in the relay manager, that relay will be energized.
Earth current 1 Delay 00.00s	Pickup delay, level 1 0.02 to 99.98 s
	In order to initiate a ground fault current (level 1) alarm, the measured ground fault current must exceed and remain above the configured threshold without interruption for at least the period of time specified in this screen.
Earth current 2 Response = 000%	Threshold ground fault, level 2 10 to 300 %
	Ground fault current (level 2) is defined by this parameter. The percentage configured here refers to the configured rated current (refer to page 30). If this limit is reached or exceeded, the unit outputs the message " Earthcur.2 ". If a relay was assigned to this function in the relay manager, that relay will be energized.
Earth current 2 Delay 00,00s	Pickup delay, level 2 0.02 to 99.98 s
	In order to initiate a ground fault current (level 2) alarm, the measured ground fault current must exceed and remain above the configured threshold without interruption for at least the period of time specified in this screen.

Earth current Hysteresis 000%

Hysteresis for the ground fault monitoring, level 1+2

1 to 300 %

In order to prevent system fluctuations from continually initiating ground fault current alarms (levels 1 & 2), a lower release point is defined here. If the control monitors the current above the permissible limit, the current must drop below that threshold and the current level defined here.

Example: If a 1000A system has a ground fault current limit 1 of 5% (50A) and a hysteresis of 2% (20A), the monitored current for a ground fault current alarm must drop below 20A to reset the alarm.

Non-Direct. Ground-Fault Monit. via Displacement Volt. (Package IvIkR)

The unit may be used to monitor for earth faults in the stator winding of three-phase motors drawing current from the mains via a unit-connected transformer. If a ground current fault is detected, the control senses the current phase shift, providing about a 95% protection of the windings rating.

First tripping level for the displacement voltage

Function: "Measurement of the displacement voltage (level 1)"

The displacement voltage is usually measured via the open delta winding (e-n-winding) of a potential transformer or via a zero sequence transformer in the star point of the machine. If potential transformers with secondary voltages greater than 100V (e.g. 240 V, 500 V), the voltage at the earth fault input terminal must be reduced to a voltage level less than 100V through the use of a voltage divider. The single-phase third harmonics components may result in false currents being monitored on the grounding circuit. A digital anti-aliasing filter is utilized to separate these harmonics and prevent inaccurate values caused by harmonics from being displayed. If the actual sine wave of the ground current exceeds the configured threshold, the alarm message "E.fault Ve" is displayed. This message cannot be suppressed with the discrete input "Blocking of protective functions / remote acknowledgement".

Earth fault monitoring ON	Non-directional ground fault monitoring ON/OFF
	ON The non-directional ground fault monitoring is enabled. The subsequent screens of this function are displayed. OFF The non-directional ground fault monitoring is disabled. The subsequent screens of this function are not displayed.
Earth fault Ve> Response v. 000%	Threshold displacement voltage, level 1 3 to 100 %
	The displacement voltage threshold (level 1) is defined by this parameter. The percentage configured here refers to the configured rated voltage of the potential transformer secondary (generally 100 V). If this limit is reached or exceeded, the unit outputs the message "E.fault Ve". If a relay was assigned to this function in the relay manager, that relay will be energized.
Earth fault Ve> Delay 00.00s	Pickup delay, level 1 0.02 to 99.98 s
	In order to initiate a ground fault alarm, the displacement voltage threshold (level 1) must be exceeded and remain above the configured threshold without interruption for at least the period of time specified in this screen.

Second tripping level for the displacement voltage

Function: "Measurement of the displacement voltage (level 2)/disconnect impedance reactor"

Isolated or compensated distribution systems may use an impedance reactor to increase the resistance to earth. This type of equipment generally isn't designed for continuous rated current at full displacement. Therefore, this equipment must be disabled when the displacement voltage exceeds a set value. **It must be taken into consideration that the impedance reactor may only be disabled after the earth fault alarm has been initiated.**

This requires a longer delay time be configured if the impedance reactor must be turned off. Additionally the displacement voltage threshold (level 2) must be configured higher than the level 1 threshold. When the displacement voltage threshold (level 2) has been exceeded, the alarm message "Earth Ve>>" is displayed. This message cannot be suppressed with the discrete input "Blocking of protective functions / remote acknowledgement".

Earth fault Ve>>
Response v. 000%

Threshold displacement voltage, level 2 **3 to 100 %**

The displacement voltage threshold (level 2) is defined by this parameter. The percentage configured here refers to the configured rated voltage of the potential transformer secondary (generally 100 V). If this limit is reached or exceeded, the unit outputs the message "Earth Ve>>". If a relay was assigned to this function in the relay manager, that relay will be energized.

Earth fault Ve>>
Delay =00.00s

Pickup delay, level 2 **0.02 to 99.98 s**

In order to initiate a ground fault alarm, the displacement voltage threshold (level 2) must be exceeded and remain above the configured threshold without interruption for at least the period of time specified in this screen.

Release delay
Earth f.v.00.00s

Release delay for non-directional ground fault **0.02 to 99.98 s**

In order to prevent system fluctuations from continually initiating non-directional ground fault current alarms (levels 1 & 2), the monitored displacement voltage must remain below the threshold limit for the time configured here. The level 1 alarm will auto-acknowledge only if the parameter "Auto-clearing Relays" is configured as "ON". The level 2 alarm will always auto-acknowledge.

Ground-Fault Monitoring, Measured (Package IvlkR)

Measured ground fault monitoring with isolated or balanced mains.

The line-to-ground current is usually measured via a cable-type transformer or current transformers in Holm-green. Ground faults result in comparatively small ground currents at the location of the fault. The measuring input is specially designed for these small ground currents. The measuring input is limited to a maximum of 35mA. The ground fault current input is thermally designed to withstand the CT secondary rated current. All measurements are galvanically isolated. If a ground fault does occur, the control unit issues an alarm message. This message can be suppressed with the discrete input "Blocking of protective functions / remote acknowledgement".

Earth current monitoring ON	Ground fault monitoring, measured ON/OFF
	<p>ON..... Ground fault monitoring (measured) is enabled. The subsequent screens of this function are displayed.</p> <p>OFF..... Ground fault monitoring (measured) is disabled. The subsequent screens of this function are not displayed.</p>
Earth current 1 Response = 000%	Threshold ground fault, measured, level 1 0.05 to 3.50 %
	<p>Ground fault current (level 1) is defined by this parameter. The percentage configured here refers to the configured rated current (refer to page 30). If this limit is reached or exceeded, the unit outputs the message "Earthcur.1". If a relay was assigned to this function in the relay manager, that relay will be energized.</p>
Earth current 1 Delay 00.00s	Pickup delay, level 1 0.02 to 99.98 s
	<p>In order to initiate a ground fault current (level 1) alarm, the measured ground fault current must exceed and remain above the configured threshold without interruption for at least the period of time specified in this screen.</p>
Earth current 2 Response = 000%	Threshold ground fault, measured, level 2 0.05 to 3.50 %
	<p>Ground fault current (level 2) is defined by this parameter. The percentage configured here refers to the configured rated current (refer to page 30). If this limit is reached or exceeded, the unit outputs the message "Earthcur.2". If a relay was assigned to this function in the relay manager, that relay will be energized.</p>
Earth current 2 Delay 00.00s	Pickup delay, level 2 0.02 to 99.98 s
	<p>In order to initiate a ground fault current (level 2) alarm, the measured ground fault current must exceed and remain above the configured threshold without interruption for at least the period of time specified in this screen.</p>
Earth current Hysteresis 0.00%	Hysteresis for the ground fault monitoring, measured, levels 1+2 0.00 to 3.50 %
	<p>In order to prevent system fluctuations from continually initiating ground fault current alarms (levels 1 & 2), a lower release point is defined here. If the control monitors the current above the permissible limit, the current must drop below that threshold and the current level defined here.</p> <p>Example: If a 1A CT secondary has a ground fault current limit 1 of 2% (20mA) and a hysteresis of 1.5% (15mA), the monitored current for a ground fault current alarm must drop below 15mA to reset the alarm.</p>

Directional Ground Fault Monitoring (Package IvIkR)

Directional ground fault monitoring is used in isolated and compensated networks.

Functional Description

Function: "Ground fault within the protection area"

The **Package IvIkR** enables to perform a direction-dependent ground fault monitoring. A selective monitoring of several generators, which feed one busbar without block transformers, is possible.

The following parameters must be configured to **ON** to perform directional ground fault monitoring:

- Earth fault monitoring
- Earth current monitoring

If the displacement voltage reaches or exceeds the threshold value V_e , the earth fault monitoring will be enabled after expiry of the configured delay time. If the alarm message "Warning earth f." has been configured to a relay, this will be energized. No display message appears. This relay may be used for example to generate a "Ground fault outside the protection area" message together with another relay or to connect a load device.

Function without direction check ("Earth fault le restricted" configured to OFF)

If the measured ground current reaches or exceeds the "Earth fault 1" or "Earth fault 2" limit, the "E.fault V_e " message will be issued after expiry of the configured delay time. The current direction will not be taken into account. This message may be suppressed with the discrete input "Blocking of protective functions / Remote acknowledgement".

Function with direction check ("Earth fault le restricted" configured to ON)

If the measured ground current reaches or exceeds the "Earth fault 1" or "Earth fault 2" limit and the unit detects a ground fault within the protection area by the angle between current and voltage, the "E.fault V_e " message will be issued after expiry of the configured delay time. Therefore, the current direction will be taken into account in the way configured in the following settings. If the unit detects a ground fault outside the protection area, no alarm will be issued. This message may be suppressed with the discrete input "Blocking of protective functions / Remote acknowledgement".



NOTE

Ground fault protection at start-up.

If the discrete input "Blocking of protective functions / Remote acknowledgement" is energized with open GCB, ground current monitoring and direction detection will be disabled. The "Earfh fault V_e " monitoring operates in its basic functionality. This enables to detect a ground fault when starting the engine already by detecting the occurring displacement voltage and issuing an alarm.

Earth fault Ie restricted	ON
------------------------------	----

Directional ground fault monitoring **ON/OFF**

ON..... The direction of the ground current is monitored to ensure that it is proportional to the measured displacement voltage. A fault condition is not recognized if the direction element determines that the ground fault is external.

OFF..... Directional ground fault current monitoring is not enabled and the following screens are not displayed.

Earth fault Ie Evaluation	sin
------------------------------	-----

Analysis of the reactive (sin) or active component (cos) **sin/cos**

sin..... The direction of current is defined by the measurement of the reactive current. This setting should be selected if directional ground overcurrent monitoring is being performed in an isolated system.

cos The direction of current is defined by the measurement of the inductive current. This setting should be selected if directional ground overcurrent monitoring is being performed in a compensated system.

Earth fault Ie Angle adj.	000°
------------------------------	------

Angle correction of the ground current **-180 to 0 to 180°**

To monitor specific systems, the phase angle monitoring can be tuned. This permits threshold limits to be adapted to the plant without having to desensitize ground fault current monitoring. It should be noted that the analysis mode changes automatically to adjustments greater than 90° or less than -90°. If the analysis mode "cos" is configured, the monitored phase angle is adjusted by 90° in relationship to a "sin" measurement with a phase angle correction of 0°.

Earth fault Ie Block range	00°
-------------------------------	-----

Angle blocking zone for ground current logging **0 to 10°**

Compensated systems generally only have very slight ground fault currents. The magnitude of the ground fault current at the fault location is approximately 5% of the capacitive fault current in an isolated system. The phase shift of the ground fault current could be influenced by the potential or current transformers causing an incorrect fault condition to be recognized. Therefore phase angles around 90° can be ignored in the range of +/-10°.

Relay Configuration



NOTE

Clearing of faults and fault messages from the control unit will depend on the parameters "External clearing", "Auto-clearing Relays", and "Auto-clearing Display". These three parameters will influence the other depending on how each is configured. This is explained in the following text.

External Clearing	ON
-------------------	----

External acknowledgement of the relays via the discrete input "Blocking of protective functions / remote acknowledgement".

Acknowledgement via the discrete input ON/OFF

"Auto-clearing Relays" configured "OFF" (refer to "Auto Acknowledgement of the Relay" on page 46):

OFFAlarms that cannot be blocked with discrete input "Blocking of protective functions / remote acknowledgement" will not be reset when the fault condition is no longer present. Pressing the "Clear" button resets the relays.

ONAll alarms are reset when the discrete input "Blocking of protective functions / remote acknowledgement" (terminals 5/6) is energized. Alarms which cannot be blocked with the discrete input "Blocking of protective functions / remote acknowledgement" are only reset after the fault condition is no longer present.

"Auto-clearing Relays" configured "ON" (refer to "Auto Acknowledgement of the Relay" on page 46):

OFFPressing the "Clear" button resets the displayed fault messages.

ONAll displayed fault messages are reset when the discrete input "Blocking of protective functions / remote acknowledgement" (terminals 5/6) is energized. Alarms which cannot be blocked with the discrete input "Blocking of protective functions / remote acknowledgement" are only reset after the fault condition is no longer present.

Auto Acknowledgement of the Relays

Auto-clearing Relays	ON
----------------------	----

Relay auto acknowledgment ON/OFF

ONAutomatic clearing of the relays is enabled. The relays are automatically reset when the fault condition is no longer detected. The alarm message in the display is cleared according to how the parameter **"Auto-clearing Display"** is configured.

OFFAutomatic clearing of the relays is disabled. Pressing the "Clear" button resets the relays.

The alarm message in the display is cleared according to how the parameter **"Auto-clearing Display"** is configured. The subsequent screens of this function are not indicated.



NOTE

The subsequent screens are only visible if the parameter "Auto-clearing Relays" and the corresponding protective function are enabled and the control unit is equipped with the protective functionality.

Release delay xxxxxxxx 00.00s

Release delay of the relays **0.02 to 99.98 s**

The individual relays will reset if "Auto-clearing relays" has been enabled and the monitored values have returned to the permissible limits plus / minus the hysteresis (depending on monitoring) without interruption for the time specified in this parameter. If the monitored value exceeds / falls below the threshold limit, the delay timer re-initiates its countdown. The following protective functions may have reset delays configured.

Release delay for ...	Display indication instead of xxxxxxxx	Remark
Independent time-overcurrent monitoring Packages CP / 51V	Overcurr.	Time overcurrent 1, 2, and 3
Inverse time-overcurrent Package 51V	Curr. - Inv	
Inverse time-overcurrent with voltage restraint Package 51V	Curr. - Inv	
Ground fault Standard	Earth F.	Ground current 1 and 2
Non-directional ground fault via displacement volt. VePackage IvIkR	Earth F.v.	

Table 6-1: Release delay of the relays

Auto Acknowledgement of Messages

Auto-clearing Display ON

Messages auto acknowledgment **ON/OFF**

- ON**..... After the alarm condition is no longer detected, the message on the display is deleted.
- OFF**..... The alarm message remains in the display after the fault condition is no longer detected until manually cleared. The subsequent screen of this function is not displayed.



NOTE

The subsequent parameter "Clearing display after " is not visible if "Auto-clearing Relays" is configured to "OFF".

Clearing display after 00s

Clear displayed message delay **1 to 99 s**

Alarm messages, which have been enabled, will be acknowledged after this configured delay time expires. This delay will initiate once the measure value exceeds/falls below the threshold limit +/- the hysteresis

Changing the Relay Assignment (Standard / Packages 51V & IvIkR)

Change relay-
allocation? YES

Change relay assignment? YES/NO

This parameter permits the user to change how the relay outputs are configured. Refer to the list of parameters.

YESThe relay assignments can be configured and the user may define the relay functionality and assignments. The subsequent screens are displayed.

NOThe relays are configured with the factory default settings. The subsequent screens are not displayed.



NOTE

All relay outputs are configured the same. The following is an example showing relays 1 through 3. Depending on the model purchased, the unit may have up to 7 configurable relays. The Packages 51V & IvIkR enable to use 5 additional relays.

Example: Relay 1 to 3

Func. relay 123
(R=releases) RRR

Function of the relays 1, 2, and 3 E/R

The individual relays may be configured as either E=Energizes (Normally Open contacts) or R=Releases (Normally Closed contacts).

EThe relay is configured as normally open (N.O.) contacts. The relay will energize only if the assigned monitoring function has tripped.

RThe relay is configured as normally closed (N.C.) contacts. The relay is always energized and will only de-energize (release) if the assigned monitoring function has tripped.

NOTE Relay 1 is configured as R (release/N.C.) and cannot be modified.



NOTE

The following screen(s) will only be displayed if the unit is equipped with the corresponding protective function(s), the protective function is enabled, and the parameter "Change relay allocation" is enabled.

```

XXXXXXXXXXXXXXXXXXXX
to relay    0000
    
```

Assign protective function output to relays

0 to 4/8

Each digit in this parameter is used to assign one relay to a protective function. Up to four relay outputs may be assigned to a protective function. The control may be configured as follows:

- 0**..... If the protective function is not assigned to a relay, a "0" must be configured in the display. None of the relay outputs will energize/de-energize when the corresponding protective function trips if all four relay assignments are configured with a "0". A message for the protective function will still be visible in the unit display.
- 1/2/3** Relay 1 (terminals 9/10), relay 2 (terminals 11/12/13), and/or relay 3 (terminals 14/15/16) are available for assignment to protective function on all units.
- 4/5/6/7/8** Relay 4 (terminals 19/20/21), relay 5 (terminals 22/23/24), relay 6 (terminals 25/26/27), relay 7 (terminals 28/29/30), and/or relay 8 (terminals 31/32) are available for assignment to protective function if the unit is equipped with either the [51V](#) or [IvIkR Packages](#).

Example..... An MFR 12/[51V](#) has a protective function that is required to output a signal to relays 2,4, and 7. That protective function relay assignment should be configured as 2470. The sequence of the numbers has no significance in the functionality or operations.

A relay output may be assigned to more than one protective function. This will cause the relay to issue a signal when any of the configured protective functions trip. If a relay should only issue a signal when a specific protective function trips, then the relay must not be assigned to any other protective function.

Monitoring of ... output to relay		Indication on display instead of XXXXXXXXXX
Independent time-overcurrent, level 1	Packages CP / 51V	Overcurrent1
Independent time-overcurrent, level 2	Packages CP / 51V	Overcurrent2
Independent time-overcurrent, level 3	Packages CP / 51V	Overcurrent3
Inverse time-overcurrent	Package 51V	Inv.time ov.curr
Inverse time overcurrent with voltage restraint	Package 51V	Inv.time ov.curr
Ground fault, level 1	Packages CP / 51V / IvIkR	Earth Fault 1
Ground fault, level 2	Packages CP / 51V / IvIkR	Earth Fault 2
Non-directional ground fault via displacement voltage, level 1	Package IvIkR	Earth Fault Ve>
Non-directional ground fault via displacement voltage, level 2	Package IvIkR	Earth Fault Ve>>
Ground fault	Package IvIkR	Warning earth F.
Centralized alarm		Collect Response

Table 6-2: Protective function output to relay



NOTE

The "ready for operation" function is always assigned to relay 1. However, other protective functions may also be assigned to relay 1 additionally. Relay 1 is always configured as Normally Closed (break contact) and will de-energize if the unit is not ready for operation.

Chapter 7.

Commissioning



DANGER - HIGH VOLTAGE

When commissioning the control, please observe all safety rules that apply to the handling of live equipment. Ensure that you know how to provide first aid in the event of an uncontrolled release of energy and that you know where the first aid kit and the nearest telephone are. Never touch any live components of the system or on the back of the system:

L I F E T H R E A T E N I N G



CAUTION

Only a qualified technician may commission unit. The "EMERGENCY-STOP" function must be operational prior to commissioning of the system, and must not depend on the unit for its operation.



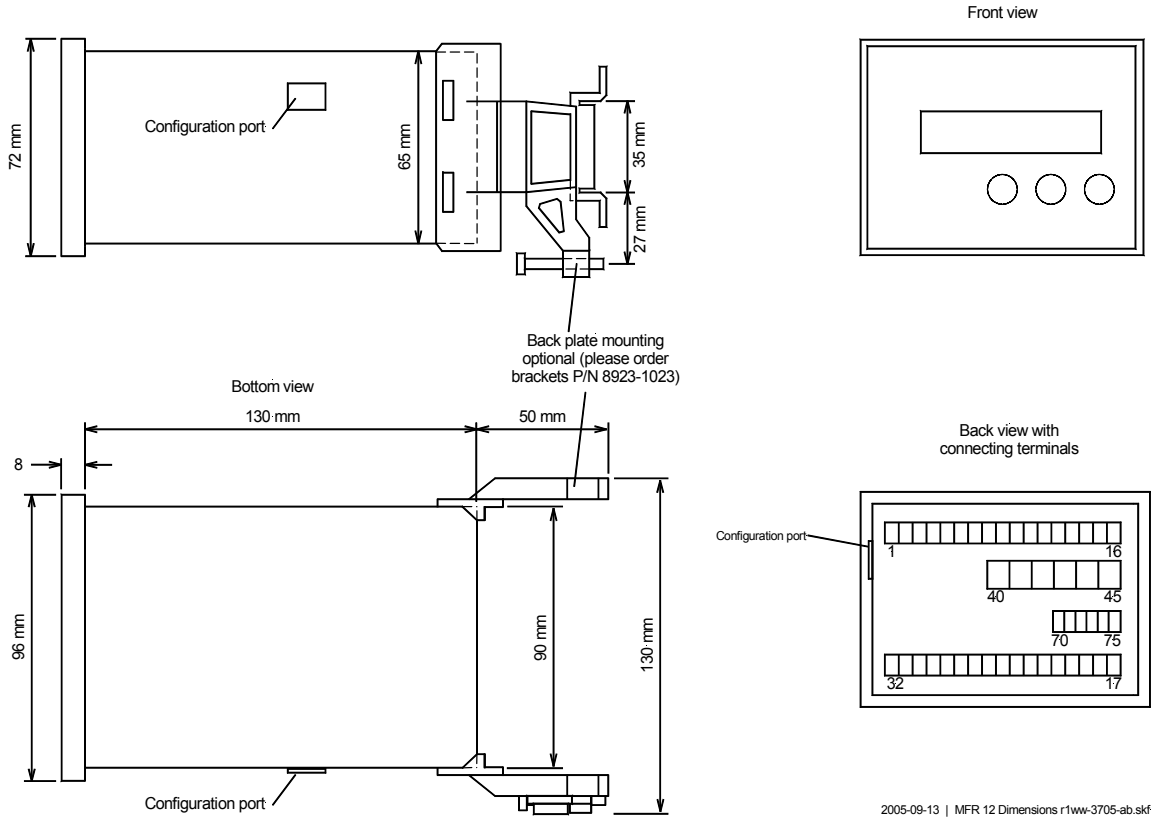
CAUTION

Prior to commissioning ensure that all measuring devices are connected in correct phase sequence. The connect command for the unit circuit breaker must be disconnected at the unit circuit breaker. The field rotation must be monitored for proper rotation. Any absence of or incorrect connection of voltage measuring devices or other signals may lead to malfunctions and damage the unit, the engine, and/or components connected to the unit!

Procedure

1. After wiring the unit and ensuring all voltage-measuring devices are phased correctly, apply the control system voltage (i.e. 24 Vdc). The "Operation" LED will illuminate.
2. By simultaneously pressing the two push buttons "Digit↑" and "Cursor→", the configuration mode is accessed. After entering the access code number, the unit may be configured according to the application requirements (see the chapter regarding the parameters).
3. After applying the measured variables, the unit will display the measured values. These values should be confirmed with a calibrated measuring instrument.
4. After the unit has been configured for the application, the configuration mode is exited by simultaneously pressing the "Digit↑" and "Cursor→" buttons.

Appendix A. Dimensions

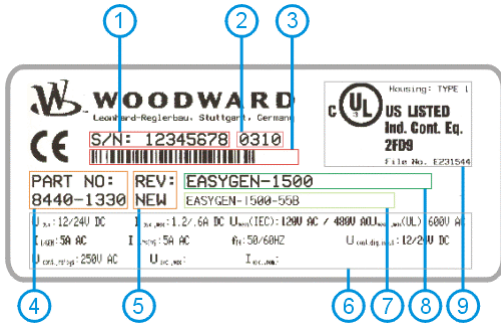


2005-09-13 | MFR 12 Dimensions r1ww-3705-ab.skf

Figure 7-1: Dimensions

Appendix B. Technical Data

Nameplate -----



- | | | |
|---|---|---|
| <ol style="list-style-type: none"> 1 2 3 4 5 6 7 8 9 | <p>S/N
S/N
S/N
P/N
REV
Details
Type
Type
UL</p> | <p>Serial number (numerical)
Date of production (YYMM)
Serial number (Barcode)
Item number
Item revision number
Technical data
Description (long)
Description (short)
UL sign</p> |
|---|---|---|

Measuring voltage -----

- Measuring voltage Standard (V_{rated}) \sphericalangle/Δ66/115 Vac
- Maximum value V_{ph-ph} max. (UL/cUL).....max. 150 Vac
- Rated voltage $V_{ph-ground}$150 Vac
- Rated surge voltage.....2.5 kV
- Measuring frequency40.0 to 80.0 Hz
- AccuracyClass 1
- Resistance0.1 %
- Linear measuring range..... $1.3 \times V_{rated}$
- Input resistance[1] 0.21 M Ω
- Maximum power consumption per path0.15 W

Measuring current-----**isolated**

- Measuring current[1] ..1 A
- [5] ..5 A
- AccuracyClass 1
- Linear measuring range..... $3.0 \times I_{rated}$
- Power consumption.....< 0.15 VA
- Rated short-time current (1 s)[1] $100.0 \times I_{rated}$
- [5] $20.0 \times I_{rated}$

Ambient variables -----

- Power supply.....24 Vdc (18 to 30 Vdc)
- Intrinsic consumption.....max. 12 W
- Ambient temperature Storage-40 to 85 °C / -40 to 185 °F
- Operational-20 to 70 °C / -4 to 158 °F
- Ambient humidity95 %, not condensing
- Maximum altitude2000 m
- Degree of pollution2

Discrete inputs-----**isolated**

- Input range ($V_{Cont, discrete input}$)Rated voltage 18 to 250 Vac/dc
- Input resistanceapprox. 68 k Ω

Relay outputs -----potential free

- Contact material..... AgCdO
- General purpose (GP) ($V_{Cont, relay output}$)
 - AC 2.00 Aac@250 Vac
 - DC 2.00 Adc@24 Vdc
 - 0.36 Adc@125 Vdc
 - 0.18 Adc@250 Vdc
- Pilot duty (PD) ($V_{Cont, relay output}$)
 - AC 1.00 Aac@250 Vac
 - DC 1.00 Adc@24 Vdc
 - 0.22 Adc@125 Vdc
 - 0.10 Adc@250 Vdc

Housing -----

- Type..... APRANORM DIN 43 700
- Dimensions (W × H × D) 96 × 72 × 130 mm
- Front cutout (W × H)..... 91 [+1.0] × 67 [+0.7] mm
- Wiring..... Screw-type terminals depending on connector 1.5 mm², 2.5 mm², or 4 mm²
- Recommended tightening torque.....[1.5 mm² / 2.5 mm²] 0.5 Nm, [4 mm²] 0.6 Nm
 use 60/75 °C copper wire only
 use class 1 wire only or equivalent
- Weightapprox. 800 g

Protection-----

- Protection system..... IP42 from front with correct mounting
 IP54 from front with gasket (gasket: P/N 8923-1036)
 IP21 from back
- Front foil.....insulating surface
- EMC test (CE)tested according to applicable EN guidelines
- ListingsCE marking; UL listing for ordinary locations
 UL/cUL listed, Ordinary Locations, File No.: E231544
- Marine-Approval GL

Appendix C. Measured Quantities and Accuracy

Measuring value	Display/range	Accuracy	Note
Voltage			
$V_{L1}, V_{L2}, V_{L3}, V_{L12}, V_{L23}, V_{L31}$	0 to 125 V/0 to 65 kV	1 %	Accuracy depending on the configured transformer ratio
Current			
I_{L1}, I_{L2}, I_{L3}	0 to 9,999 A	1 %	-

Reference conditions: The data apply to the following reference conditions:

- Input voltage = sinusoidal rated voltage
- Input current = sinusoidal rated current
- Power supply = rated voltage $\pm 2\%$
- Power factor $\cos \varphi = 1$
- Ambient temperature $23\text{ }^{\circ}\text{C} \pm 2\text{ K}$
- Warm-up period = 20 minutes.

Appendix D. List of Parameters

Product number P/N _____ Rev _____

Version MFR 12 _____

Project _____

Serial number S/N _____ Date _____

Pckg	Parameter	Setting range 100 V	Default setting	Customer setting	
BASIC DATA					
	Software version	-	-		
	SPRACHE/LANGUAGE	German/English	English	<input type="checkbox"/> G <input type="checkbox"/> E	<input type="checkbox"/> G <input type="checkbox"/> E
	Enter code number	0000 to 9999	-		
	Password Protection	ON/OFF	ON	<input type="checkbox"/> 1 <input type="checkbox"/> 0	<input type="checkbox"/> 1 <input type="checkbox"/> 0
	Define level 1 code	0000 to 9999	0001		
	Define level 2 code	0000 to 9999	0002		
	Direct parametr.	YES/NO	NO	<input type="checkbox"/> Y <input type="checkbox"/> N	<input type="checkbox"/> Y <input type="checkbox"/> N
MEASUREMENT					
	Volt.-Measuring	Phase to phase / Phase-neutral	Phase-neutral	<input type="checkbox"/> pp <input type="checkbox"/> pn	<input type="checkbox"/> pp <input type="checkbox"/> pn
	Volt.transformer secondary	50 to 125 V	100 V		
	Volt.transformer primary	00.100 to 65.000 kV	00.400 kV		
	Current transf.	[1] 1 to 9,999/1 A [5] 1 to 9,999/5 A	[1] 1,000/1 A [5] 1,000/5 A		
	Rated voltage	5 to 125 V	100 V		
	Rated current	10 to 9,999 A	1,000 A		
	Rated power	5 to 32,000 kW	500 kW		
	Power measuring	one-phase/three-phase	three-phase	<input type="checkbox"/> s <input type="checkbox"/> t	<input type="checkbox"/> s <input type="checkbox"/> t

Pckg	Parameter	Setting range 100 V	Default setting	Customer setting
PROTECTION				
CP 51V	Overcurrent Monitoring	ON/OFF	ON	<input type="checkbox"/> 1 <input type="checkbox"/> 0 <input type="checkbox"/> 1 <input type="checkbox"/> 0
..	Overcurrent 1 I>	0 to 300 %	120 %	
..	Overcurrent 1 Delay	0.02 to 99.98 s	0.1 s	
..	Overcurrent 2 I>	0 to 300 %	160 %	
..	Overcurrent 2 Delay	0.02 to 99.98 s	0.04 s	
..	Overcurrent 3 I>	0 to 300 %		
..	Overcurrent 3 Delay	0.02 to 99.98 s		
CP 51V	Overcurrent Hysteresis	1 to 300 %	5 %	
51V	Inv.time ov.curr Monitor.	ON/OFF	OFF	<input type="checkbox"/> 1 <input type="checkbox"/> 0 <input type="checkbox"/> 1 <input type="checkbox"/> 0
..	Inv.time char.	Normal / High / Extreme	Extreme	<input type="checkbox"/> n <input type="checkbox"/> h <input type="checkbox"/> e <input type="checkbox"/> n <input type="checkbox"/> h <input type="checkbox"/> e
..	Inv.time ov.curr Tp=	0.01 to 1.99 s	0.10 s	
..	Inv.time ov.curr Ip=	0.1 to 3.0*In	1.0 *In	
..	Inv.time ov.curr I start=	1 to 3.00*In	1.00 * In	
..	Inv.time ov.cur. V-restr.	ON/OFF	OFF	
51V	Inv.time ov.curr Knee curve	10 to 90 %	20 %	
IvIkR	Earth fault monitoring	ON/OFF		<input type="checkbox"/> 1 <input type="checkbox"/> 0 <input type="checkbox"/> 1 <input type="checkbox"/> 0
..	Earth fault Ve Response v.	3 to 100 %		
..	Earth fault Ve>> Delay	0.02 to 99.98 s		
..	Earth fault Ve>> Response v.	3 to 100 %		
..	Earth fault Ve>> Delay	0.02 to 99.98 s		
IvIkR	Release delay Earth f.v.	00.00 s		
..	Earth current monitoring	ON/OFF	ON	<input type="checkbox"/> 1 <input type="checkbox"/> 0 <input type="checkbox"/> 1 <input type="checkbox"/> 0
..	Earth current 1 Response	10 to 300 %	120 %	
..	Earth current 1 Delay.	0.02 to 99.98 s	0.1 s	
..	Earth current 2 Response	10 to 300 %	160 %	
..	Earth current 2 Delay	0.02 to 99.98 s	0.04 s	
..	Earth current Hysteresis	0 to 300 %	5 %	
IvIkR	Earth fault Ie restricted	ON/OFF		<input type="checkbox"/> 1 <input type="checkbox"/> 0 <input type="checkbox"/> 1 <input type="checkbox"/> 0
..	Earth fault Ie Evaluation	sin/cos		
..	Earth fault Ie Angle adj.	-180° to 180°		
IvIkR	Earth fault Ie Block angle	00 to 10°		
RELAY CONFIGURATION				
..	External Clearing	ON/OFF	ON	<input type="checkbox"/> 1 <input type="checkbox"/> 0 <input type="checkbox"/> 1 <input type="checkbox"/> 0
..	Auto-clearing Relays	ON/OFF	ON	<input type="checkbox"/> 1 <input type="checkbox"/> 0 <input type="checkbox"/> 1 <input type="checkbox"/> 0
CP 51V	Release delay Overcurr.	0.02 to 99.98 s	0.10 s	
51V	Release delay Curr.-Inv	0.02 to 99.98 s	0.10 s	
..	Release delay Earth F.	0.02 to 99.98 s	0.10 s	
IvIkR	Release delay Earth F.v.	0.02 to 99.98 s	0.10 s	
..	Auto-clearing Display	ON/OFF	ON	<input type="checkbox"/> 1 <input type="checkbox"/> 0 <input type="checkbox"/> 1 <input type="checkbox"/> 0
..	Clearing display after	1 to 99 s	1 s	
..	Change relay- allocation	YES/NO	YES	<input type="checkbox"/> Y <input type="checkbox"/> N <input type="checkbox"/> Y <input type="checkbox"/> N
51V IvIkR	Funct. relay 123 (R=release)	E/R	REE	
51V IvIkR	Funct. relay 45 (R=release)	E/R	EE	
51V IvIkR	Funct. relay 678 (R=release)	E/R	EEE	
CP 51V	Overcurrent1 to relay	0 to 3/8	0002	
..	Overcurrent2 to relay	0 to 3/8	0002	
CP 51V	Overcurrent3 to relay	0 to 3/8	0002	
51V	Overcurrent (U<) 1 to relay	0 to 3/8	0002	
51V	Overcurrent (U<) 2 to relay	0 to 3/8	0002	
..	Earth Fault 1 to relay	0 to 3/8	0002	
..	Earth Fault 2 to relay	0 to 3/8	0002	
IvIkR	E.fault Ve to relay	0 to 3/8	0003	
..	Collect Response to relay	0 to 3/8		

Appendix E. Service Options

Product Service Options



The following factory options are available for servicing Woodward equipment, based on the standard Woodward Product and Service Warranty (5-01-1205) that is in effect at the time the product is purchased from Woodward or the service is performed. If you are experiencing problems with installation or unsatisfactory performance of an installed system, the following options are available:

- Consult the troubleshooting guide in the manual.
- Contact Woodward technical assistance (refer to "How to Contact Woodward" later in this chapter) and discuss your problem. In most cases, your problem can be resolved over the phone. If not, you can select which course of action you wish to pursue based on the available services listed in this section.

Returning Equipment for Repair



If a control (or any part of an electronic control) is to be returned to Woodward for repair, please contact Woodward in advance to obtain a Return Authorization Number. When shipping the unit(s), attach a tag with the following information:

- name and location where the control is installed;
- name and phone number of contact person;
- complete Woodward part numbers (P/N) and serial number (S/N);
- description of the problem;
- instructions describing the desired repair.



CAUTION

To prevent damage to electronic components caused by improper handling, read and observe the precautions in Woodward manual 82715, *Guide for Handling and Protection of Electronic Controls, Printed Circuit Boards, and Modules*.

Packing a Control

Use the following materials when returning a complete control:

- protective caps on any connectors;
- antistatic protective bags on all electronic modules;
- packing materials that will not damage the surface of the unit;
- at least 100 mm (4 inches) of tightly packed, industry-approved packing material;
- a packing carton with double walls;
- a strong tape around the outside of the carton for increased strength.

Return Authorization Number RAN

When returning equipment to Woodward, please telephone and ask for the Customer Service Department in Stuttgart [+49 (711) 789 54-0]. They will help expedite the processing of your order through our distributors or local service facility. To expedite the repair process, contact Woodward in advance to obtain a Return Authorization Number, and arrange for issue of a purchase order for the unit(s) to be repaired. No work can be started until a purchase order is received.



NOTE

We highly recommend that you make arrangement in advance for return shipments. Contact a Woodward customer service representative at +49 (711) 789 54-0 for instructions and for a Return Authorization Number.

Replacement Parts



When ordering replacement parts for controls, include the following information:

- the part numbers P/N (XXXX-XXX) that is on the enclosure nameplate;
- the unit serial number S/N, which is also on the nameplate.

How to Contact Woodward



Please contact following address if you have questions or if you want to send a product for repair:

Woodward GmbH
Handwerkstrasse 29
70565 Stuttgart - Germany

Phone: +49 (711) 789 54-0 (8.00 - 16.30 German time)
Fax: +49 (711) 789 54-100
e-mail: stgt-info@woodward.com

For assistance outside Germany, call one of the following international Woodward facilities to obtain the address and phone number of the facility nearest your location where you will be able to get information and service.

Facility	<u>Phone number</u>
USA	+1 (970) 482 5881
India	+91 (129) 409 7100
Brazil	+55 (19) 3708 4800
Japan	+81 (476) 93 4661
The Netherlands	+31 (23) 566 1111

You can also contact the Woodward Customer Service Department or consult our worldwide directory on Woodward's website (www.woodward.com) for the name of your nearest Woodward distributor or service facility. [For worldwide directory information, go to www.woodward.com/ic/locations.]

Engineering Services



Woodward Industrial Controls Engineering Services offers the following after-sales support for Woodward products. For these services, you can contact us by telephone, by e-mail, or through the Woodward website.

- Technical support
- Product training
- Field service during commissioning

Technical Support is available through our many worldwide locations, through our authorized distributors, or through GE Global Controls Services, depending on the product. This service can assist you with technical questions or problem solving during normal business hours. Emergency assistance is also available during non-business hours by phoning our toll-free number and stating the urgency of your problem. For technical engineering support, please contact us via our toll-free or local phone numbers, e-mail us, or use our website and reference technical support.

Product Training is available on-site from several of our worldwide facilities, at your location, or from GE Global Controls Services, depending on the product. This training, conducted by experienced personnel, will assure that you will be able to maintain system reliability and availability. For information concerning training, please contact us via our toll-free or local phone numbers, e-mail us, or use our website and reference *customer training*.

Field Service engineering on-site support is available, depending on the product and location, from our facility in Colorado, or from one of many worldwide Woodward offices or authorized distributors. Field engineers are experienced on both Woodward products as well as on much of the non-Woodward equipment with which our products interface. For field service engineering assistance, please contact us via our toll-free or local phone numbers, e-mail us, or use our website and reference *field service*.

Technical Assistance



If you need to telephone for technical assistance, you will need to provide the following information. Please write it down here before phoning:

Contact

Your company _____

Your name _____

Phone number _____

Fax number _____

Control (see name plate)

Unit no. and Revision: P/N: _____ REV: _____

Unit type MFR 12 _____

Serial number S/N _____

Description of your problem

Please be sure you have a list of all parameters available.

We appreciate your comments about the content of our publications.
Please send comments to: stgt-documentation@woodward.com
Please include the manual number from the front cover of this publication.



Woodward GmbH
Handwerkstrasse 29 - 70565 Stuttgart - Germany
Phone +49 (711) 789 54-0 • Fax +49 (711) 789 54-100
stgt-info@woodward.com

Homepage

<http://www.woodward.com/power>

Woodward has company-owned plants, subsidiaries, and branches, as well as authorized distributors and other authorized service and sales facilities throughout the world.

Complete address/phone/fax/e-mail information
for all locations is available on our website (www.woodward.com).

2007/7/Stuttgart